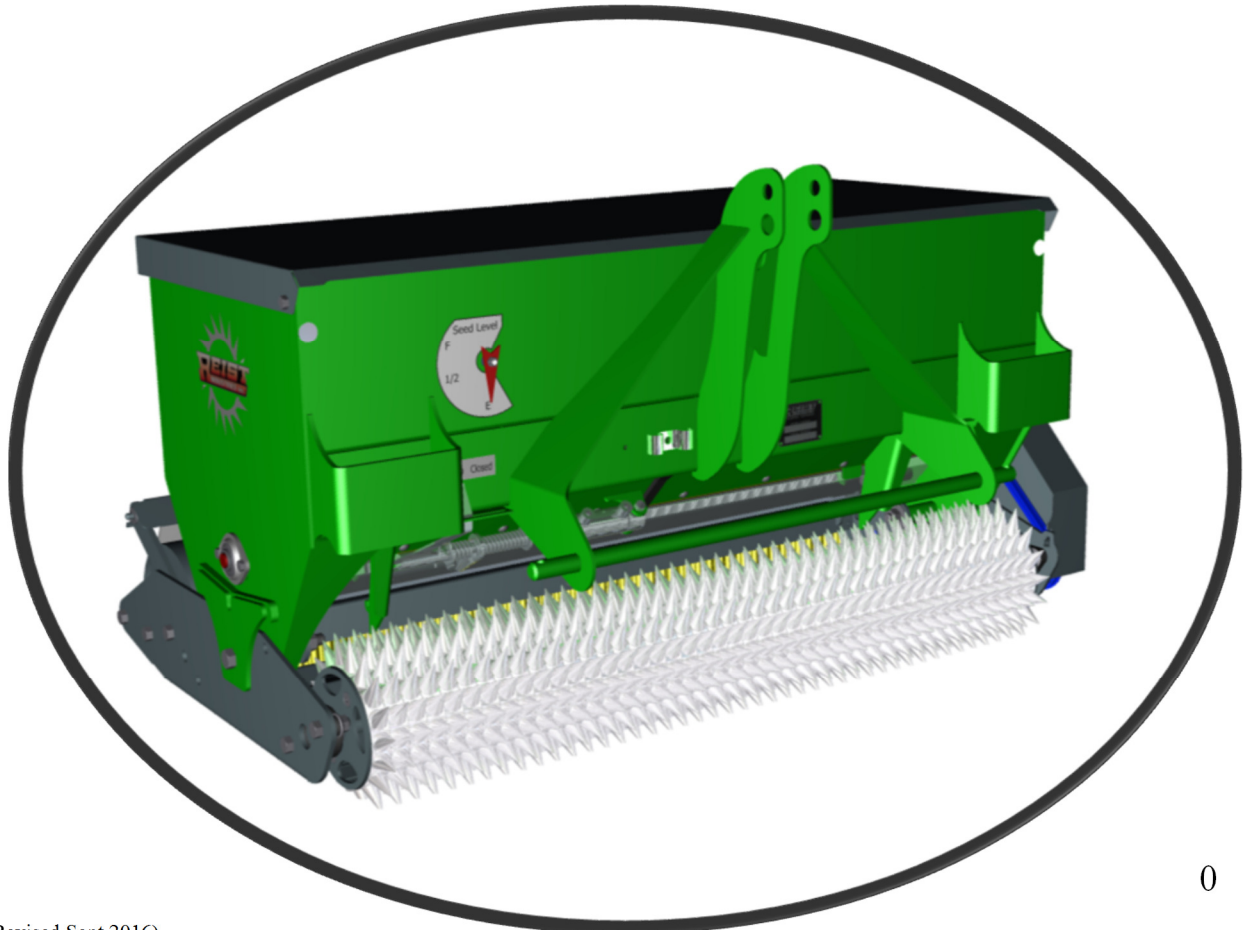




**OPERATOR & PARTS MANUAL**  
**48" wide**

Serial # starting at M2674



# **TABLE OF CONTENTS**



ITEM	PAGE
INTRODUCTION	2
SAFETY	3
CALIBRATION	4
STANDARD ROLLER ASSEMBLY	5
DOUBLE ROLLER ASSEMBLY	6
STORAGE	7
PARTS	8-16
WARRANTY	18

## CONGRATULATIONS!!

Thank you for choosing the **Reist Aera Seeder**. We feel confident that this equipment will meet your expectations in workmanship, reliability and performance.

This manual is to assist you with the safe operation of the Area Seeder.

**The Reist Aera Seeder**

Is a versatile piece of equipment to assist you in various primary and over seeding needs.

**MODEL NO.** \_\_\_\_\_ **SERIAL NO.** \_\_\_\_\_.

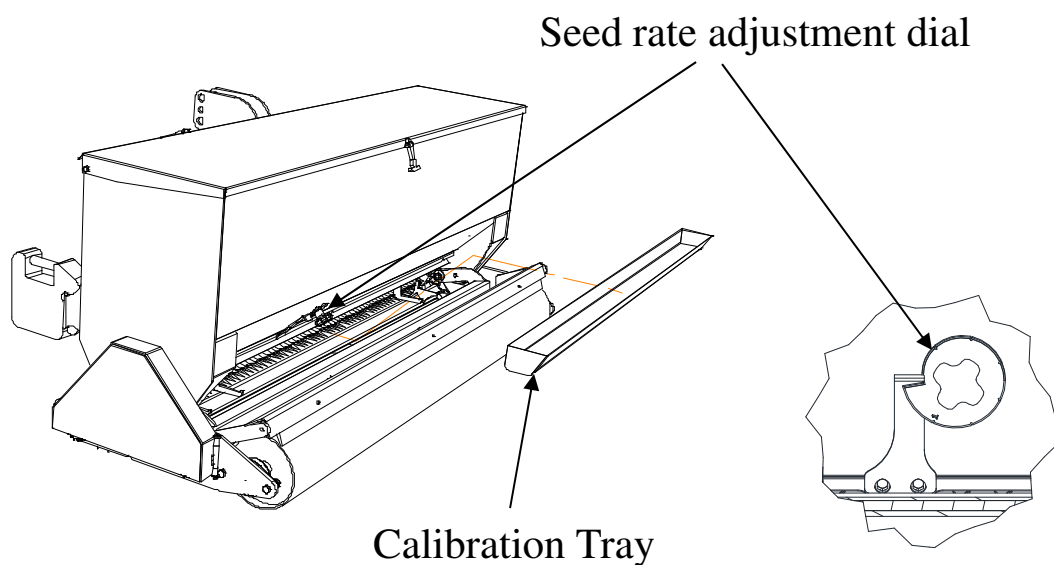
**CAUTION !**

1. For proper safe operation we recommend that the tractor be equipped with an approved Roll-Over Protective Structure and Safety Belt.
2. Do not operate an engine in a confined or non-ventilated area.
3. Do not perform any adjustments or repairs with engine running.
4. Always lower 3 PT hitch to ground before performing adjustments or repairs.
5. Do not operate on excessive incline and always be careful when turning on slopes.
6. Never carry passengers on implement or tractor.
7. Never let a child operate machinery.
8. Hydraulic fluid under pressure can cause serious injury. Do Not use your hands to locate leaks.
9. It is the owner's responsibility to make sure that all operators read this manual before operating the equipment.

## Calibrating Seed Rate

It is easy to calibrate the seed rate and can be done in a reasonably short amount of time. All you need a measuring tape, weigh scale and container. Then follow the steps below.

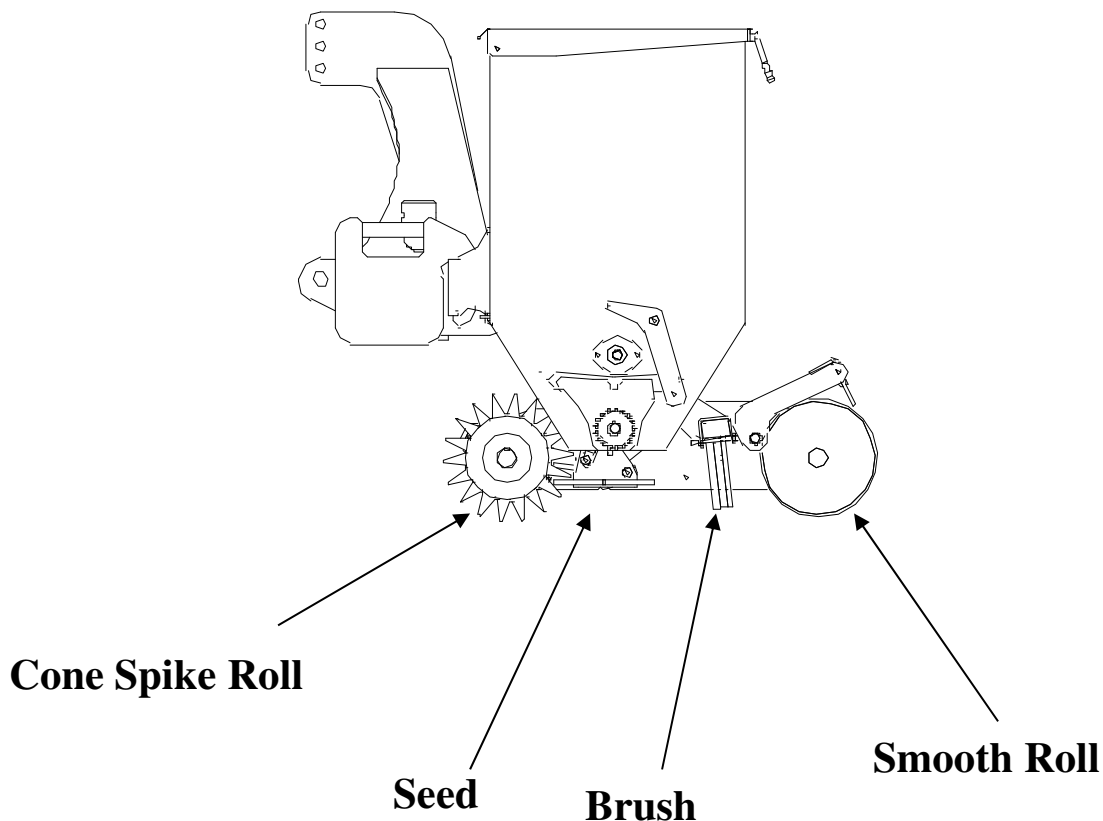
1. Measure the distance the AeroSeeder is required to travel. For the **3ft calibration tray 333 ft**
2. Pour several pounds of seed into seed box
3. Insert calibration tray on mounting hooks below seed outlet at the bottom of the seeder .
4. Set Seed Rate Indicator to desired position.
5. Open seed slider and start AeroSeeder travelling at the same speed as you will be when you are seeding (approx 3 MPH/5km). Close seed slide when you pass the end mark . (If the tray is filled before getting to the end mark, stop and empty calibration tray into a container then continue. Depending on the seed rate you might have to empty the tray a number of times.)
6. Weigh the collected seed and the total weight is the pounds per thousand square ft.



## Standard Roller Assembly



### Standard

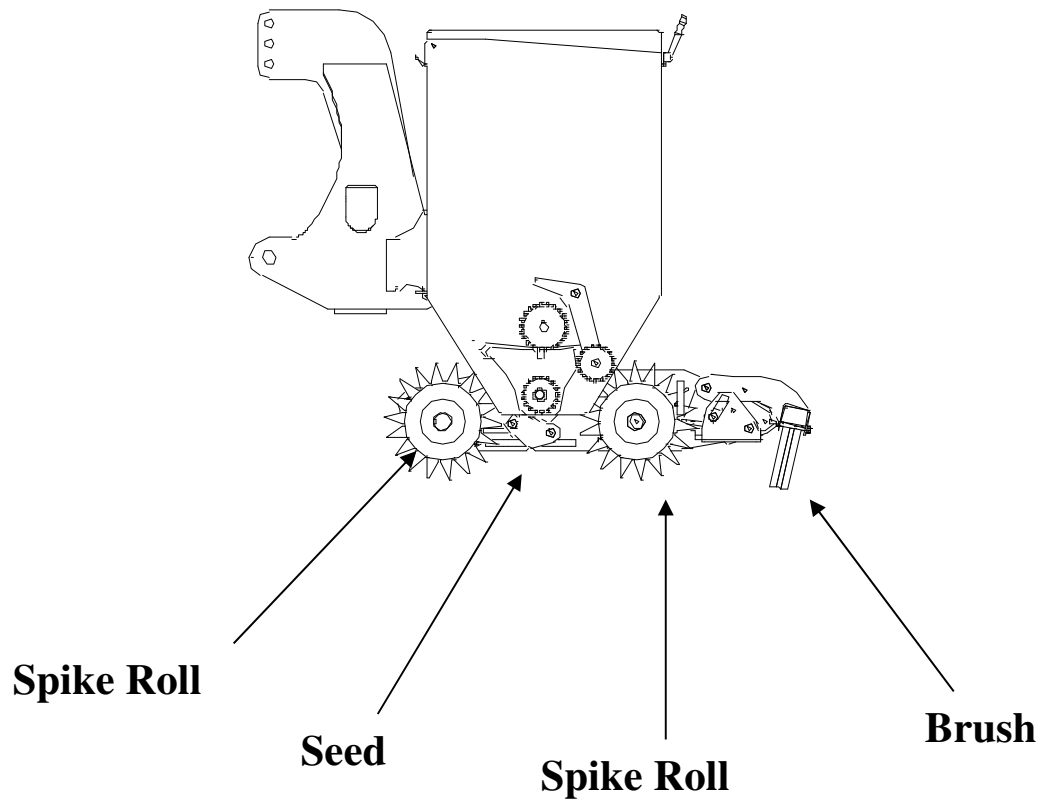


#### *Great for primary and over seeding*

**For primary seeding**, the spike roll breaks up clumps and packs the ground. The seed is then dropped by the seeder and the brush lightly covers the seed. The smooth roll presses the soil to keep the moisture in the ground.

**For over seeding** the spiked roll pokes small holes into the ground. to moisture, The seed that falls onto the grass is brushed into the holes created by the spike roller. The smooth roll presses down to cover the seed and keep the moisture in.

## Double Spike Rolls (Optional)



### *Double the Number of Holes*

Over seeding with two spiked rolls has twice the number of holes than the standard roller assembly. Both rolls poke small holes into the ground. Seed that falls onto the grass is brushed into the small holes created by the spike rolls.

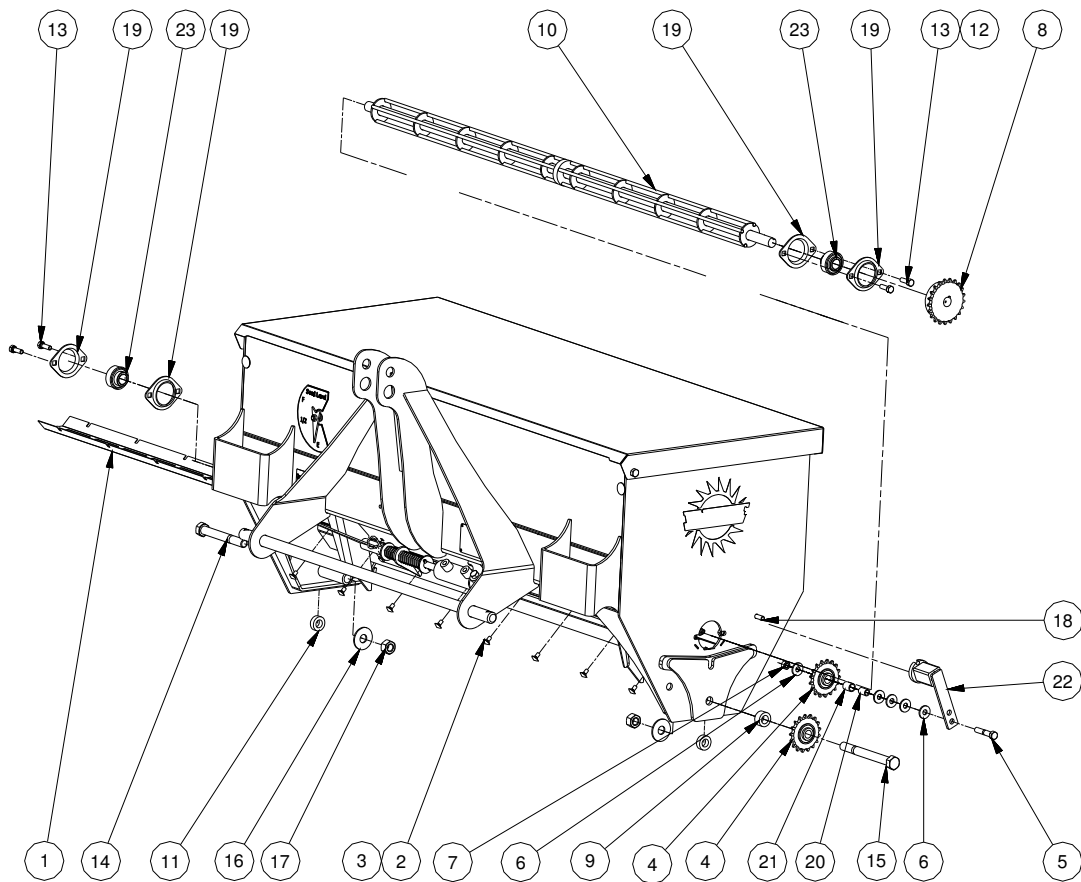
## Storage



1. Store in dry ventilated area.
2. Set on either concrete pad, some wood blocks, or plywood.
3. Store with hydraulic cylinder piston rod in retracted position.
4. Clean before putting into storage.
5. Touch-up paint as needed.
6. Oil seeder chain

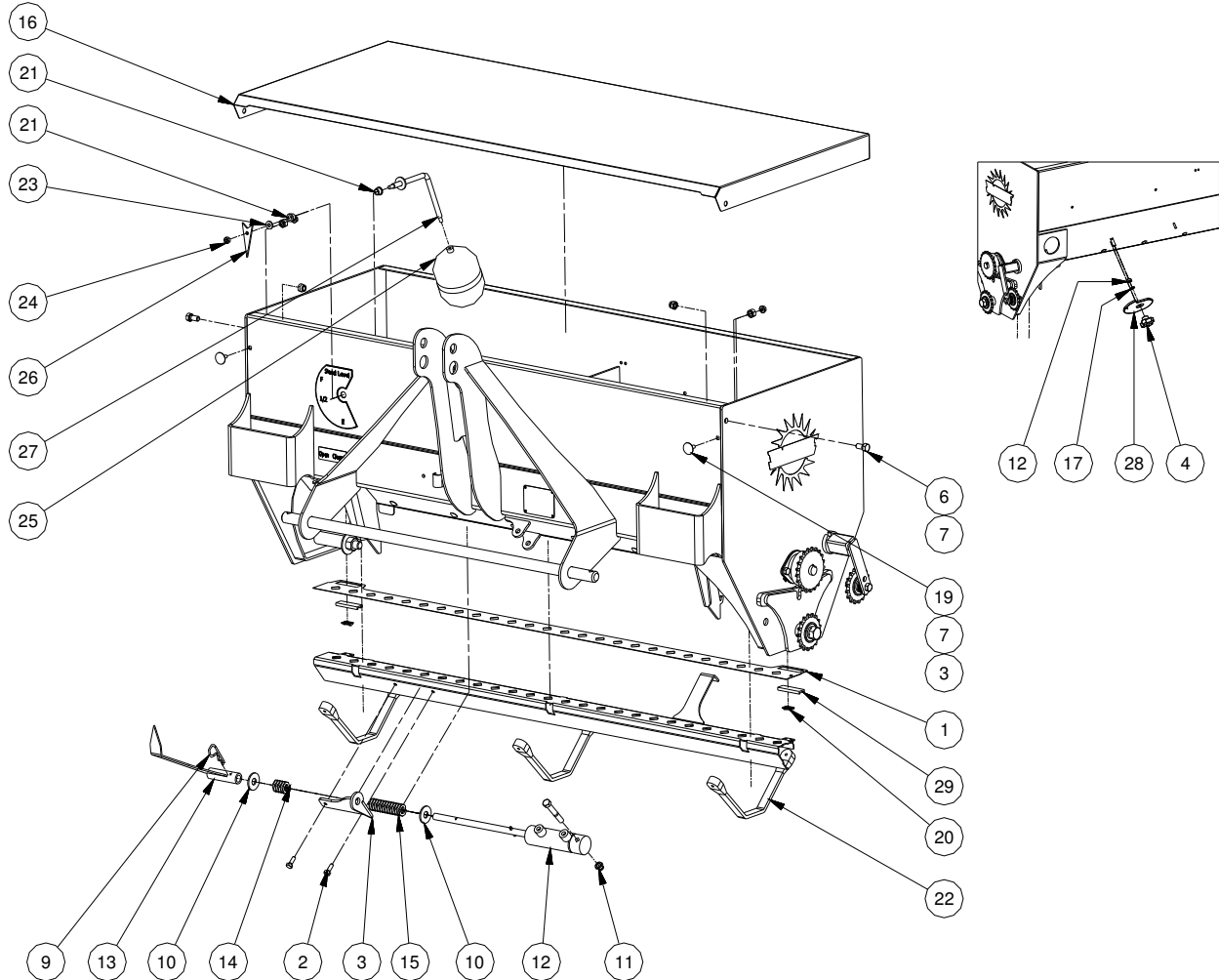


# PARTS Aera Seeder Frame



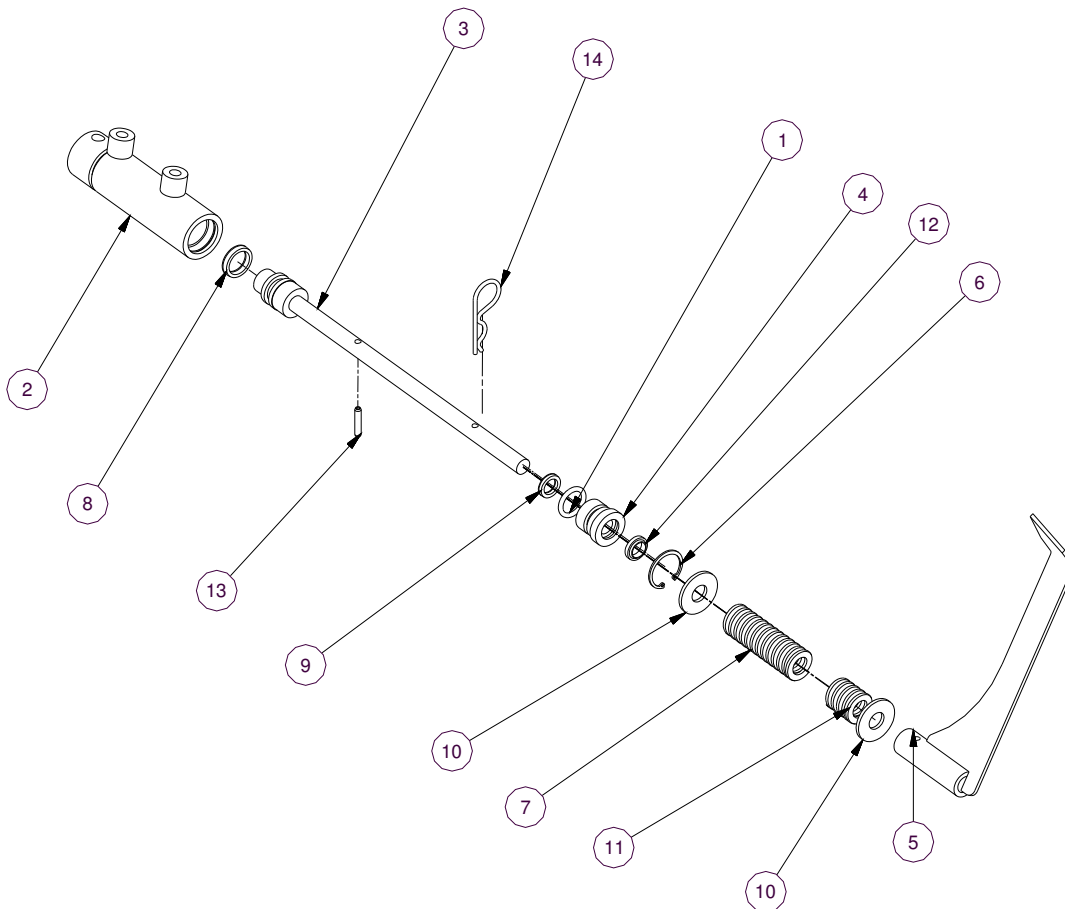
Parts List				Parts List			
ITEM	QTY	PART NUMBER	DESCRIPTION	ITEM	QTY	PART NUMBER	DESCRIPTION
1	1	10051548	Slider Channel	13	8	516_1	Hex Bolt
2	16	1412CB	Carriage Bolt	14	1	585	Hex Bolt
3	18	14FSLN	Flange Nut	15	1	586	Hex Bolt
4	2	20401708	Idler Sprocket	16	2	58F	Flat Washer
5	1	382	Hex Bolt	17	2	58N	Hex Nut
6	5	38F	Plain Washer	18	1	825	Metric Hex Bolt
7	3	38N	Hex Nut	19	4	MST47	Brg Flange
8	1	40B21-3/4	Sprocket	20	1	RSI-0608-12	Ingus bushing
9	1	5015	Idler Spacer	21	1	RSI-0810-12	Ingus bushing
10	1	509348	Agitater Shaft	22	1	SE15	Tensioner
11	2	5100	Bushing	23	2	UC204012	Bearing
12	5	516N	Hex Nuts				

# PARTS Aera Seeder Frame



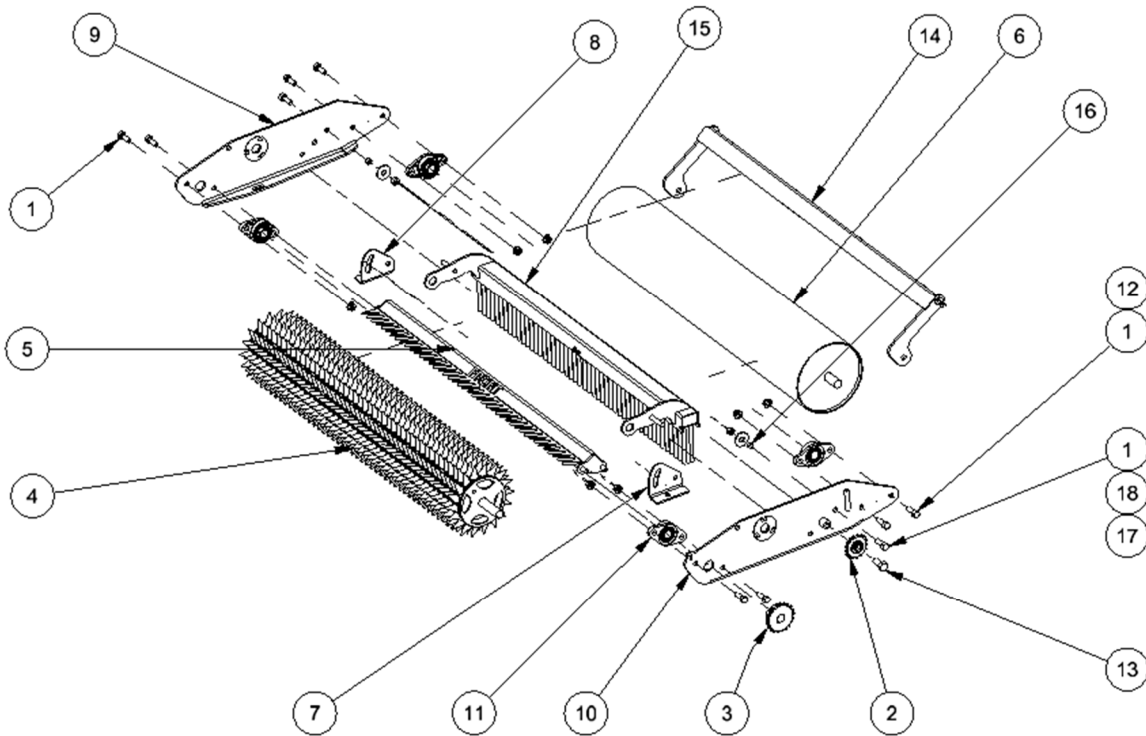
Parts List				Parts List			
ITEM	QTY	PART NUMBER	DESCRIPTION	ITEM	QTY	PART NUMBER	DESCRIPTION
1	1	10051748	Seed Insert	16	1	509048	Lid
2	4	1434	Hex Bolt	17	1	516L	Lock Washer
3	1	5094	Cyl Mount	12	5	516N	Hex Nuts
4	1	134-022	Knob	19	2	EB-2001	1/4x3/4 Stainless Elevator Bolt
3	18	14FSLN	Flange Nut	20	2	Igus Slider Brg	
6	2	3834	Hex Bolt	21	2	MFI-0608-06	Ingus bushing
7	3	38CLN	Lock Nut	22	3	SH-9	Tarp Strap
7	3	38N	Hex Nut	23	1	14FW	Washer A
9	1	109-00060-0062	COTTERS, HAIRPIN	24	1	14N	Hex Nut
10	2	12FW	Plain Washer	25	1	3305471	Seed Level Ball
11	1	38CLN	Lock Nut	26	1	5095	Seed Level Arrow
12	1	5042	Cylinder Tube	27	1	5097	Seed Level Rod
13	1	5046	Open Shut Indicator	28	1		Seed Rate Dial Decal
14	1	M-12	Short Compression Spring	29	2	igus slider	
15	1	M-17	Long Compression Spring				

# PARTS Cylinder



Parts List			
ITEM	QTY	PART NUMBER	DESCRIPTION
1	1	210	O'RING INCH
2	1	5042	Cylinder Tube
3	1	5044	Stem & Piston
4	1	5045	Gland
5	1	5046	Open Shut Indicator
6	1	N5000-106	Internal Snap Ring
7	1	M-17	Long Compression Spring
8	1	U12-0.75-18B	Polly Pack
9	1	U12-0.50-SQB	Polly Pack
10	2	12FL	Washer
11	1	M-12	Short Compression Spring
12	1	ST-50	Wiper
13	1	3161RP	Roll Pin
14	1	383505	Hairpin

# PARTS Standard Roll Assembly

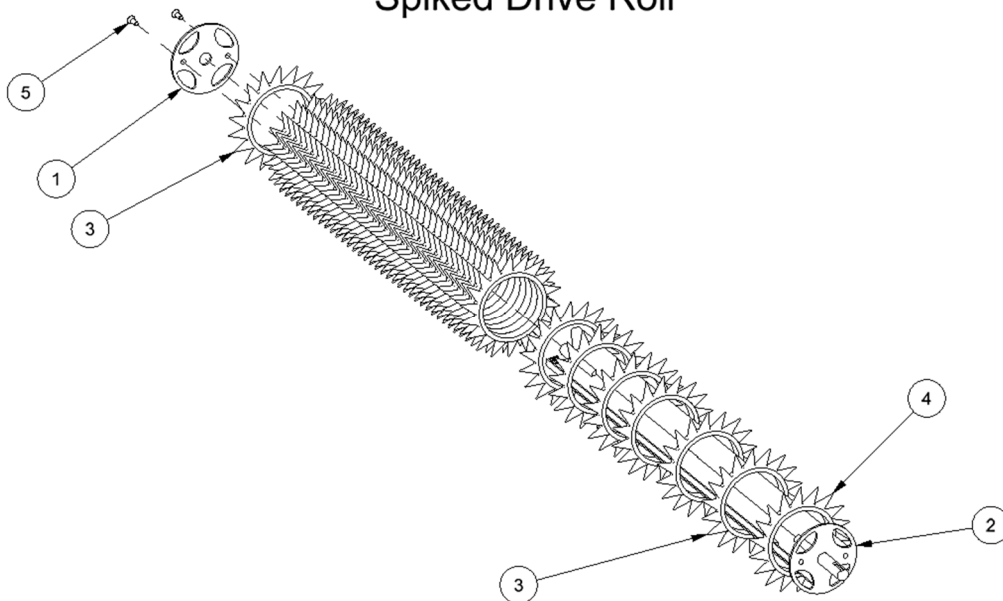


Parts List			
ITEM	QTY	PART NUMBER	DESCRIPTION
1	10	12112	Hex Bolt
2	1	20401708	Idler Sprocket
3	1	40B21-1-1/2	Drive Sprocket
4	1	501448	Spike Drive Roll
5	1	501548	Front Peg Scraper
6	1	501648	Smooth Roll
7	1	5052	Peg Scraper Hinge Left
8	1	5053	Peg Scraper Hinge Right
9	1	5103	Side Plate Right S
10	1	5104	Side Plate Left S
11	4	UCFL205-100	2 Bolt Flange Bearing
12	8	12FSLN	Flange Nut
13	1	58112	Hex Bolt
14	1	502748	Smooth Roll Scraper
15	1	502648	Brush Assembly
16	2	MSI-0810-06	Scraper Bushing
17	2	12CLN	NC Lock Nut
18	2	58F	Flat Washer

# PARTS Spiked Drive Roll



Spiked Drive Roll

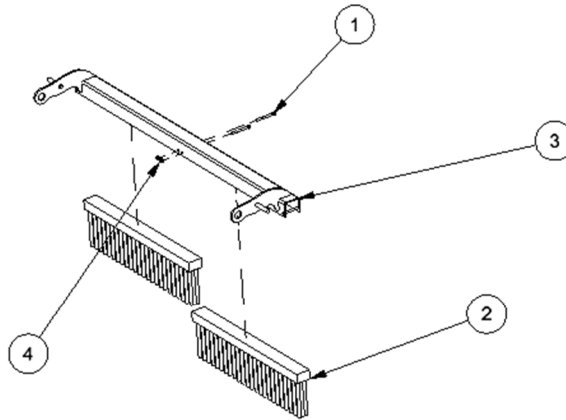


Parts List			
ITEM	QTY	PART NUMBER	DESCRIPTION
1	1	5049	Spike Washer
2	1	505148	Drive Roll Light
3	43	5066	Over Seeder Spike machined slanted
4	1	5067	Over Seeder Drive Spike Slanted
5	2	381FH	Flat Head Bolt

# PARTS Broom & Scraper

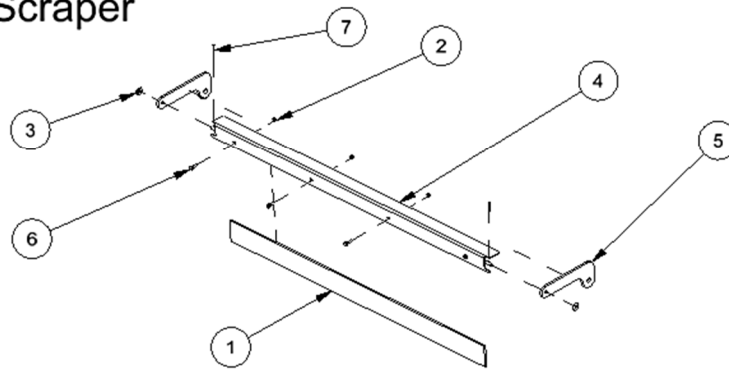


## Brush Assembly



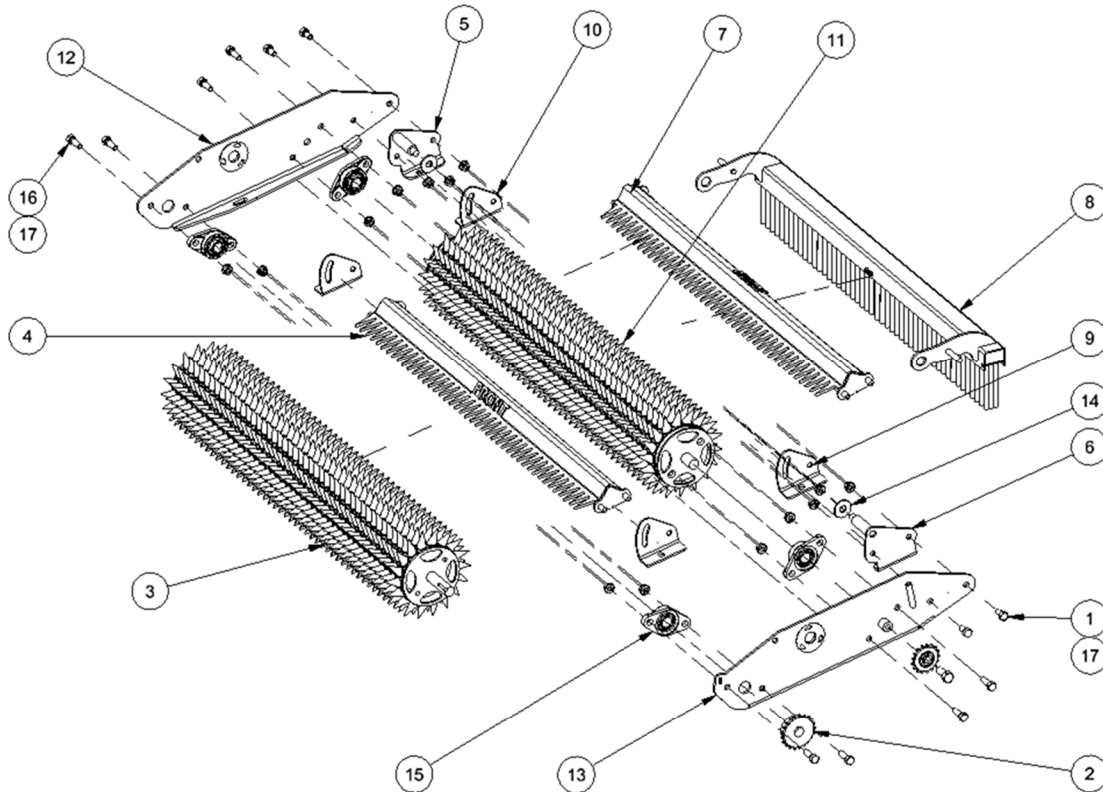
Parts List			
ITEM	QTY	PART NUMBER	DESCRIPTION
1	2	14212	Hex Bolt
2	2	2010	Main Frame Brush
3	1	503948	Aera Seeder Broom Mount
4	2	14FSLN	Flange Nut

## Smooth Roll Scraper



Parts List			
ITEM	QTY	PART NUMBER	DESCRIPTION
1	1	1/4x3x48UHMW	UHMW Scraper
2	4	14CLN	NC Lock Nut
3	2	38F	Flat Washer
4	1	504048	Smooth Roll Scraper Angle
5	2	5041	Scraper Bracket
6	4	14*1	Hex Bolt
7	2	181CP	Cotter Pin

# PARTS Double Spike Roll

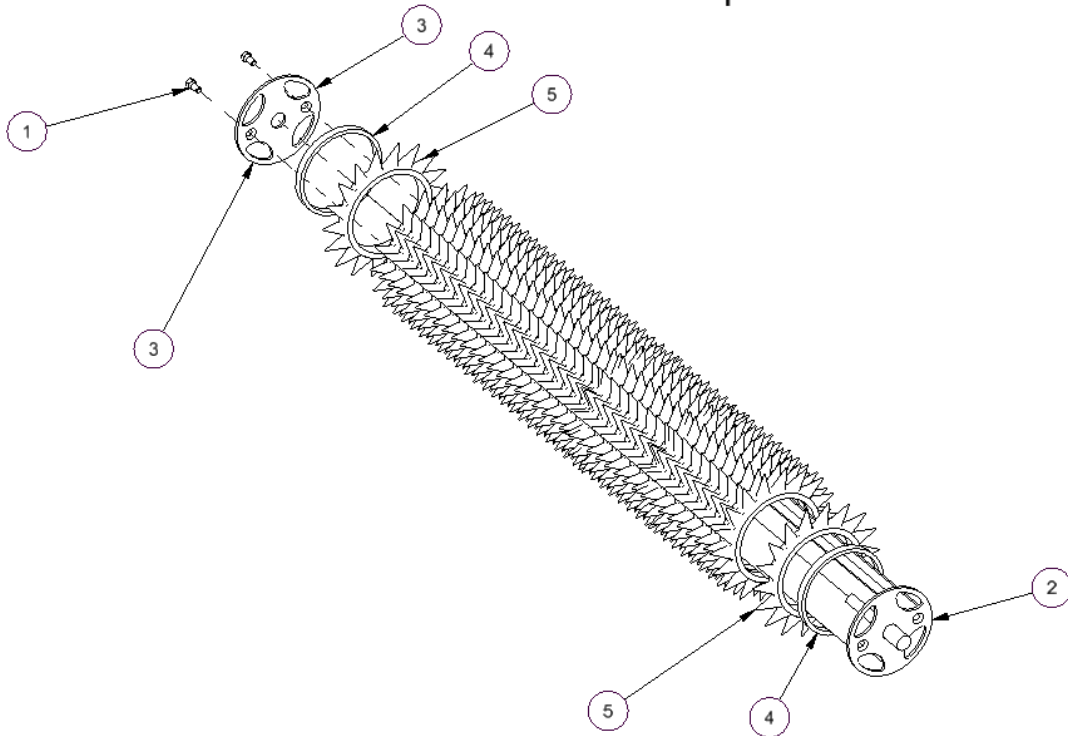


Parts List				
ITEM	QTY	PART NUMBER	DESCRIPTION	
1	4	12*1	Hex Bolt	
2	1	40B21-1-1/2	Drive Sprocket	
3	1	501448	Spike Drive Roll	
4	1	501548	Front Peg Scraper	
5	1	108504	Rear Broom Bracket Right	
6	1	108505	Rear Broom Bracket Left	
7	1	502148	Peg Scraper Rear	
8	1	502648	Brush Assembly	
9	2	5052	Peg Scraper Hinge Left	
10	2	5053	Peg Scraper Hinge Right	
11	1	505448	Spike Idler Roll	
12	1	5103	Side Plate Right S	
13	1	5104	Side Plate Left S	
14	2	58F	Flat Washer	
15	4	UCFL205-100	2 Bolt Flange Bearing	
16	8	12112	Hex Bolt	
17	14	12FSLN	Flange Nut	
18	1	20401708	Idler Sprocket	
19	1	58112	Hex Bolt	

# PARTS Spiked Idler Roll



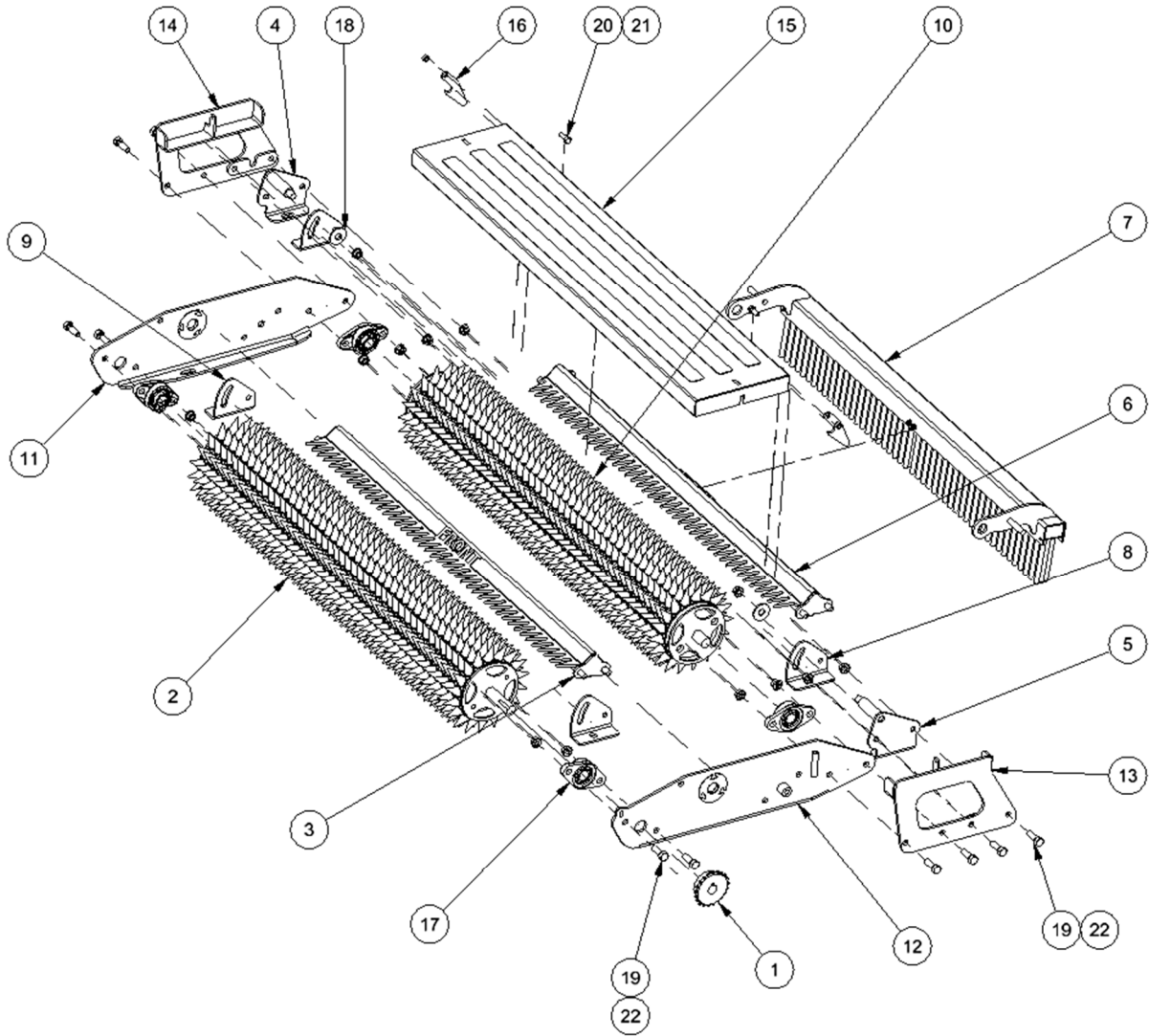
Spiked Idler Roll



Parts List			
ITEM	QTY	PART NUMBER	DESCRIPTION
1	2	3834	Hex Bolt
2	1	504848	Rear Roll Light
3	1	5049	Spike Washer
4	2	5051	Rear Spike Spacer
5	43	5066	Over Seeder Spike machined slanted



# PARTS Double Spike Roll 2<sup>nd</sup> Position



Parts List				Parts List			
ITEM	QTY	PART NUMBER	DESCRIPTION	ITEM	QTY	PART NUMBER	DESCRIPTION
1	1	40B21-1-1/2	Drive Sprocket	12	1	5104	Side Plate Left S
2	1	501448	Spike Drive Roll	13	1	5105	Roll Shield Mount
3	1	501548	Front Peg Scraper	14	1	5106	Roller Shield Mount Right
4	1	108504	Rear Broom Bracket Right	15	1	510748	Roll Shield
5	1	108505	Rear Broom Bracket Left	16	2	5108	Broom Hook
6	1	502148	Peg Scraper Rear	17	4	UCFL205-100	2 Bolt Flange Bearing
7	1	502648	Brush Assembly	18	2	58F	Flat Washer
8	2	5052	Peg Scraper Hinge Left	19	12	12112	Hex Bolt
9	2	5053	Peg Scraper Hinge Right	20	2	381	Hex Bolt
10	1	505448	Spike Idler Roll	21	2	38CLN	NC Lock Nut
11	1	5103	Side Plate Right S	22	14	12FSLN	Flange Nut

# WARRANTY



All new Reist machinery is warranted to be free from defects in material or workmanship, which may cause failure under normal usage and service when used for the purpose, intended, for a period of 12 months. This warranty applies only to a new Reist product, there being no warranty of any nature in respect to new products that have been modified or altered, repaired, neglected, or used in any way, which, in the opinion of Reist adversely affects its performance.

In the event of failure of a part or parts, and upon inspection, Reist is satisfied that failure is due to defective material or workmanship within 12 calendar months, from the date of delivery to an end user, such defective part or parts will be repaired or replaced by Reist at his business location. It is the responsibility of the buyer, at his expense, to transport the machine or equipment to the manufacturer service shop or, to an authorized service depot or, alternatively, to reimburse Reist for any travel or transportation expense involved in fulfilling this warranty.

When requested by Reist, part or parts shall be returned for inspection, transportation prepaid, to a place designated by Reist. **IN NO EVENT SHALL THE BUYER BE ENTITLED TO RECOVER FOR INCIDENTAL OR CONSEQUENTIAL DAMAGES, INCLUDING, BUT NOT LIMITED TO, LOSS OF PRODUCT, INCONVENIENCE, RENTAL OR REPLACEMENT EQUIPMENT, LOSS OF PROFIT, OR OTHER COMMERCIAL LOSS.**

This warranty becomes void and null if the equipment is modified, breaks down as the result of an accident, is not operated according to manufacturers recommendations, damaged by negligence or if maintenance has not been carried out as specified.

THIS WARRANTY IS NOT TRANSFERABLE

### Proof of Purchase

Date of purchase (yyyy mm dd)		Model		Serial #	
Dealer purchased from		City		State or Province	Country
First Name		Last Name		Phone # (include area code)	
Address				State or Province	Country
City	Postal Code	Reist Industries Inc. 100 Union St. Elmira Ontario N3B 2Z2		519-669-1501	

### Proof of Purchase

Date of purchase (yyyy mm dd)		Model		Serial #	
Dealer purchased from		City		State or Province	Country
First Name		Last Name		Phone # (include area code)	
Address				State or Province	Country
City	Postal Code	Reist Industries Inc. 100 Union St. Elmira Ontario N3B 2Z2		519-669-1501	

**Reist Industries (Elmira) Ont.  
100 Union St., Elmira  
Ontario, Canada, N3B 2Z2  
[www.reistindustries.com](http://www.reistindustries.com)**