



4000 Series
Snow Blower

OPERATOR & PARTS MANUAL

Model # 4108 & 4120

Serial # from C10115

Rated hp
125

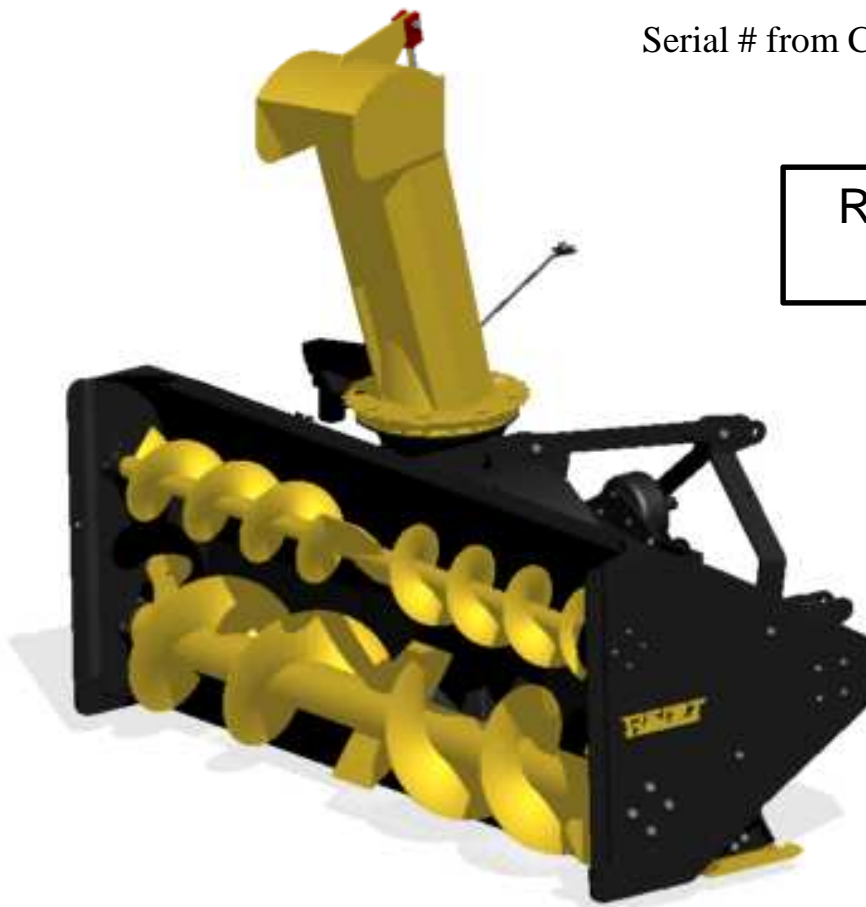


TABLE OF CONTENTS	
--------------------------	--

<u>ITEM</u>	<u>PAGE</u>
INTRODUCTION	2
SAFETY	3
SETUP INSTRUCTIONS	4
PARTS	5-7
WARRANTY	8

MODEL No. _____ SERIAL No. _____

CONGRATULATIONS!

Thank you for choosing the **REIST 4000 Series Snow Blower**. We feel confident that this equipment will meet your expectations in workmanship, reliability and performance.

This manual is to assist you with the safe operation of the **REIST 4000 Series Snow Blower**. It also has a parts list to help you when replacement parts are required.

This blower is rated for **125 hp** at 1000 rpm. It can also be switch to 540 rpm by simply removing the reducer gearbox.

Shear bolt sizes

Auger shear bolt, 10mm x 65mm grade 8.8.

PTO shear bolt, 12mm x 60mm grade 8.8.

GENERAL SAFETY



- Careful operation is the best assurance against accidents. It is the owner's responsibility to make sure that all operator's read this manual before operating the equipment.
- Familiarize yourself with all controls and always be ready to stop equipment quickly in case of emergency.
- Never let a child operate machinery.

CAUTION



OPERATING SAFETY

- Do not operate an engine in confined or non ventilated area.
- Do not perform any adjustments or repairs with engine running.
- Always lower 3 PT hitch to ground before performing adjustments or repairs.
- Do not operate on excessive incline and always be careful when turning on slopes.
- Never carry passengers on implement or tractor.
- Stay clear when machine is in operation.
- Stop tractor when getting off.

CAUTION



TRANSPORT SAFETY

- Use proper safety lights on public roads.
- Be alert while driving on road and never carry passengers.

Setup Instructions

1. The snowblower hitch is category 2. Use proper pin sizes when attaching snowblower to tractor.
2. **Make sure PTO shaft is proper length!** Make sure PTO shaft doesn't bottom out or come apart no matter what position the 3 PTH is at. The hitch can be extend to 3 different positions. Or the PTO shaft can be cut off to keep the blower closer to the tractor.
3. Set skid shoes so that the Snowblower is level when skid shoe and cutting edge is touching the ground.
4. Lower Snowblower to ground, putting 3 PTH lever to max. down position and adjust top link until skid shoes and cutting edge at the same time.

Maintenance

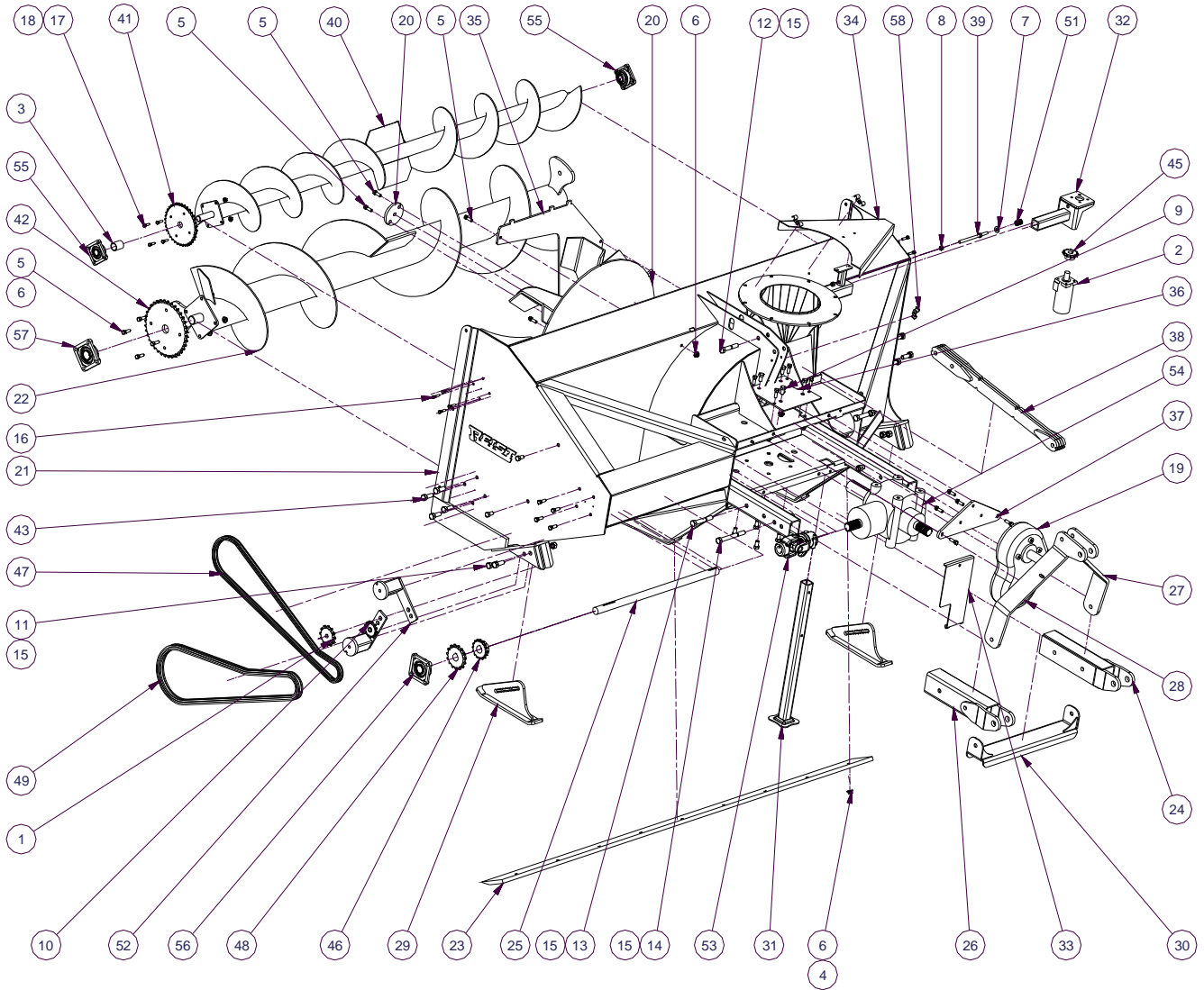
- Grease bearings every 100 hrs. **Do Not Over Grease.**
- Grease PTO crosses daily.
- Check chain tightener. If tightener needs to be adjusted, loosen bolt on outside of frame and with a big wrench or a pipe wrench turn casting until arm has 10 to 15 degrees tension.
- Check oil in gearbox every 500 hrs. Use 80W90 gear oil.

Parts List

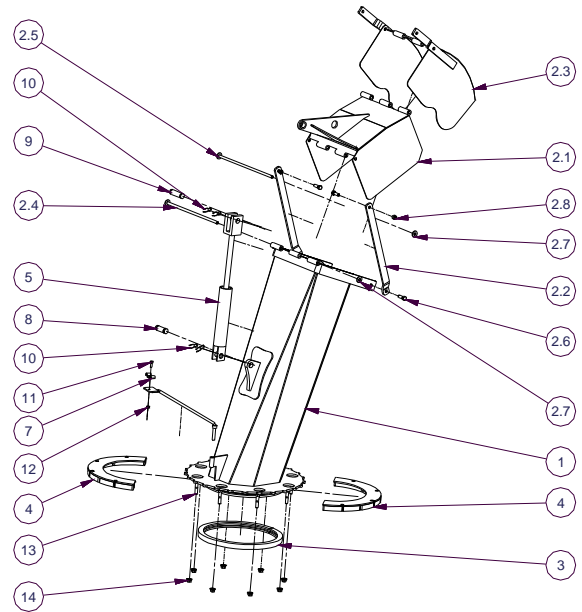
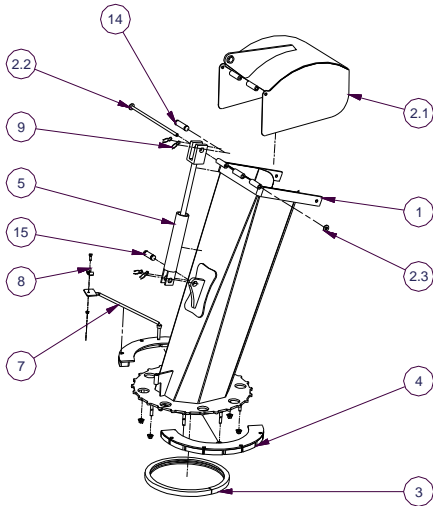


Parts List			
ITEM	QTY	PART NUMBER	DESCRIPTION
1	1	08012012	Sprocket 80B12 Idler
2	1	101-1016	Motor
3	2.000 in	114S	Pipe spacer
4	9	12*2	Hex Bolt
5	24	12112	Hex Bolt
6	27	12FSLN	Flange Nut
7	1	12FW	Plain Washer
8	2	12N	Hex Nut
9	10	1630M	Hex Bolt
10	1	20601310	Sprocket 80B13 Idler
11	4	34*2	Hex Bolt
12	1	34*4	Hex Bolt
13	3	345	Hex Bolt
14	2	347	Hex Bolt
15	10	34N	Hex Nut
16	8	38112	Hex Bolt
17	4	38114	Hex Bolt
18	12	38FSLN	Flange Nut
19	1	3G-135-902	Reducer
20	1	4000	Fan 36 inch 6 blade
21	1	4001 _ _ _	Blower Weldment
22	1	4002 _ _ _	Auger Bottom
23	1	4003 _ _ _	Cutting Edge
24	1	4004	TPH Socket L
25	1	4005 _ _ _	Auger Shaft
26	1	4010	TPH Socket R
27	1	4011	TPH Top Link Plate L
28	1	4012	TPH Top link plate R
29	2	4013	Skid Shoe Weldment
30	1	4014	TPH Spanner
31	1	4015	Stand
32	1	4016	Hyd Motor Mount
33	1	4017	Blower Shield
34	1	4018	Hyd Motor shield
35	1	4019	Shear Blade B
36	1	4020	Gearbox Top Plate
37	1	4021	Reducer Mount Plate
38	1	4022	TPH Top Link
39	1	4023	Chain Tightener Rod
40	1	4024 _ _ _	Top Auger
41	1	460A36	Sprocket
42	1	480A36	Sprocket
43	9	582	Hex Bolt
44	8	58FSLN	Flange Nut
45	1	60B12x1	sprocket
46	1	60B16X1-1/2	Sprocket
47	1	60RC	Roller Chain
48	1	80B15X1-1/2	Sprocket
49	1	80RC	Roller Chain
58	3	C-1038	Hose Clip
51	1	MHC-13	Compression Spring
52	2	SE 38	Torsion Tensioner
53	1	T60-260004-016307	Shear Pin Yokes Assembly
54	1	T_301A	Gearbox
55	2	UCF206104D1	
56	1	UCF208108	Bearing
57	2	UCF209112D1	

Parts List



Parts List



Parts List			
ITEM	QTY	PART NUMBER	DESCRIPTION
1	1	SCA	Straight Chute
2.1	1	SSHD	Deflector
2.2	1	SCB	Single Deflector Rod
2.3	1	12FW	Plain Washer
3	1	1x1UHMW54LG	UHMW ring
4	2	SCC	Clamping Ring
5	1	20TL08	2x8 cyl
7	1	SCD	Hose Rod
8	1	C-1038	Hose Clip
9	4	637856	Hair Pin
10	8	12212	Hex Bolt
11	8	12FSLN	Flange Nut
12	1	516N	Hex Nuts
13	1	5161	Hex Bolt
14	1	367855	1 inch Cylinder Clevis Pin
15	1	637855	Pin

Parts List			
ITEM	QTY	PART NUMBER	DESCRIPTION
1	1	SCA	Straight Chute
2.1	1	TSHDB	Hood
2.2	2	TSHDC	Hood Deflector Brace
2.3	1	TSHDD	TSHDE
2.4	1	SCB	Single Deflector Rod
2.5	1	TSHDE	2 stage Deflector Rod
2.6	4	12112	Hex Bolt
2.7	2	12FW	Plain Washer
2.8	4	12CLN	Lock Nut
3	1	1x1UHMW54LG	UHMW ring
4	2	SCC	Clamping Ring
5	1	20TL08	2x8 cyl
6	1	SCD	Hose Rod
7	1	C-1038	Hose Clip
8	1	637855	Pin
9	1	367855	1 inch Cylinder Clevis Pin
10	4	637856	Hair Pin
11	1	5161	Hex Bolt
12	1	516N	Hex Nuts
13	8	12212	Hex Bolt
14	8	12FSLN	Flange Nut

WARRANTY



All new Reist machinery is warranted to be free from defects in material or workmanship, which may cause failure under normal usage and service when used for the purpose, intended, for a period of 12 months. This warranty applies only to a new Reist product, there being no warranty of any nature in respect to new products that have been modified or altered, repaired, neglected, or used in any way, which, in the opinion of Reist adversely affects its performance.

In the event of failure of a part or parts, and upon inspection, Reist is satisfied that failure is due to defective material or workmanship within 12 calendar months, from the date of delivery to an end user, such defective part or parts will be repaired or replaced by Reist at his business location. It is the responsibility of the buyer, at his expense, to transport the machine or equipment to the manufacturer service shop or, to an authorized service depot or, alternatively, to reimburse Reist for any travel or transportation expense involved in fulfilling this warranty.

When requested by Reist, part or parts shall be returned for inspection, transportation prepaid, to a place designated by Reist. **IN NO EVENT SHALL THE BUYER BE ENTITLED TO RECOVER FOR INCIDENTAL OR CONSEQUENTIAL DAMAGES, INCLUDING, BUT NOT LIMITED TO, LOSS OF PRODUCT, INCONVENIENCE, RENTAL OR REPLACEMENT EQUIPMENT, LOSS OF PROFIT, OR OTHER COMMERCIAL LOSS.**

This warranty becomes void and null if the equipment is modified, breaks down as the result of an accident, is not operated according to manufacturers recommendations, damaged by negligence or if maintenance has not been carried out as specified.

THIS WARRANTY IS NOT TRANSFERABLE

Proof of Purchase

Date of purchase (yyyy mm dd)		Model		Serial #	
Dealer purchased from		City		State or Province	Country
First Name		Last Name		Phone # (include area code)	
Address				State or Province	Country
City	Postal Code	Reist Industries Inc. 100 Union St. Elmira Ontario N3B 2Z2		519-669-1501	

Proof of Purchase

Date of purchase (yyyy mm dd)		Model		Serial #	
Dealer purchased from		City		State or Province	Country
First Name		Last Name		Phone # (include area code)	
Address				State or Province	Country
City	Postal Code	Reist Industries Inc. 100 Union St. Elmira Ontario N3B 2Z2		519-669-1501	

**Reist Industries Inc. Ont.
100 Union St., Elmira
Ontario, Canada, N3B 2Z2
www.reistindustries.com**