



MultiGroomer

OPERATOR & PARTS MANUAL

MG60, MG72, MG96, MG120

Serial # from 12131



| | |
|---------------------------------|--|
| <u>TABLE OF CONTENTS</u> |  |
|---------------------------------|--|

| <u>ITEM</u> | <u>PAGE</u> |
|---------------------------------|--------------------|
| INTRODUCTION | 2 |
| HORSE SAFETY | 3 |
| SAFETY | 3-4 |
| DAILY CHECK LIST | 5 |
| SETUP INSTRUCTIONS | 6 |
| OPERATION INSTRUCTIONS | 7 |
| OPTIONAL ATTACHMENTS | 8-10 |
| PARTS --MG60 | 11-12 |
| PARTS --MG72 | 13-14 |
| PARTS --MG96 | 15-16 |
| PARTS --MG120 | 17-19 |
| PIVOT HITCH | 20 |
| BOARD SCRAPER & TOW HITCH | 21 |
| FRONT LEVELING BLADE | 22 |
| WARRANTY | 23 |

CONGRATULATIONS!

Thank you for choosing the **REIST MultiGroomer**. We feel confident that this equipment will meet your expectations in workmanship, reliability and performance.

This manual is to assist you with the safe operation of the **REIST MultiGroomer**. The MultiGroomer was primarily designed to level and groom indoor and outdoor horse arenas but can also be used for landscaping. The heavy ripper teeth are strong enough to level frozen sand or soil. Our experience has shown us that there are many difference types of sand, soil, or special products for riding arenas and the Reist MultiGroomer is the one to do the job right. The two main options to choose from are either the 2 rows of harrow teeth or a leveling blade with 1 row of harrow teeth. There are some products that the leveling blade will not work in because the material drags and bunches up. For this you need the 2 rows of harrow teeth. For sandy soil the leveling blade is required.

Two hitch options are available. The Drawbar Hitch is so that the MultiGroomer can be use with equipment that isn't equipped with 3PHT. And there is the Pivot Hitch which all the advantages are explained later on in the manual.

GENERAL SAFETY



- **Careful operation is the best assurance against accidents. It is the owner's responsibility to make sure that all operator's read this manual before operating the equipment.**
- **Familiarize yourself with all controls and always be ready to stop equipment quickly in case of emergency.**
- **Never let a child operate machinery.**
- **Protect yourself by wearing ear protection.**

Horse Safety

To prevent injury to a horse

- **Before using the Roto-Groomer check the complete machine including the tractor for broken or missing parts and repair if necessary.**
- **When done grooming, check the groomer again for broken or missing parts.**
- **If there is something missing find it before letting horses use the riding area. Use a metal detector if necessary to find the part.**



CAUTION



OPERATING SAFETY

- **For proper safe operation we recommend that the tractor be equipped with an approved Roll-Over Protective Structure and Safety Belt.**
- **Do not operate an engine in confined or non ventilated area.**
- **Do not perform any adjustments or repairs with engine running.**
- **Always lower 3 PT hitch to ground before performing adjustments or repairs.**
- **Do not operate on excessive incline and always be careful when turning on slopes.**
- **Never carry passengers on implement or tractor.**
- **Stay clear when machine is in operation.**
- **Stop tractor when getting off.**

CAUTION

TRANSPORT SAFETY

- **Use proper safety lights on public roads.**
- **Be alert while driving on road and never carry passengers.**

Check List



1. **Make sure all bolts are tight (tighten if necessary).**
2. **Check for worn or broken parts (replace if necessary).**
3. **Grease bearings every 100 hrs. Do Not Over Grease.**

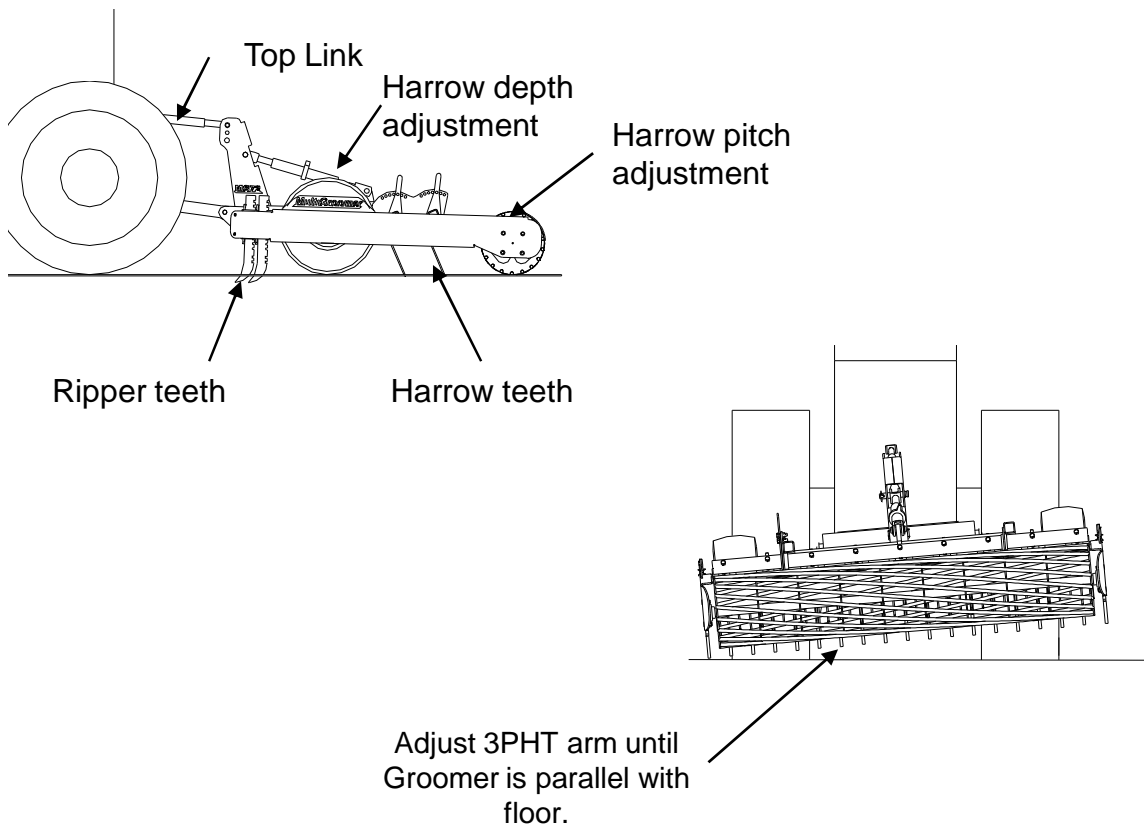
Important Setup Instructions

The Multi Groomer is mounted to the tractor with 3pth category 1. An Optional Drawbar hitch is also available to be towed with tractor or ATV.

It is **IMPORTANT** that proper adjustments are made to achieve best results.

Setup:

1. Use proper pin & bushing sizes when attaching Multigroomer to tractor.
2. Have the tractor and MultiGroomer on level ground preferably concrete for initial setup.
3. Lower Multigroomer to ground, putting 3 PTH lever to max. down position and adjust top link until front wheels and roller touches the ground.
4. Lift MultiGroomer approx. 1 inch off of ground and adjust 3pth arm so that the Groomer is parallel with the floor. The distance should be the same within a 1/4" from side to side.
5. If the MultiGroomer has the Leveling Blade option, lower the MultiGroomer to the ground and adjust the leveling blade so that it touches the ground on each side.

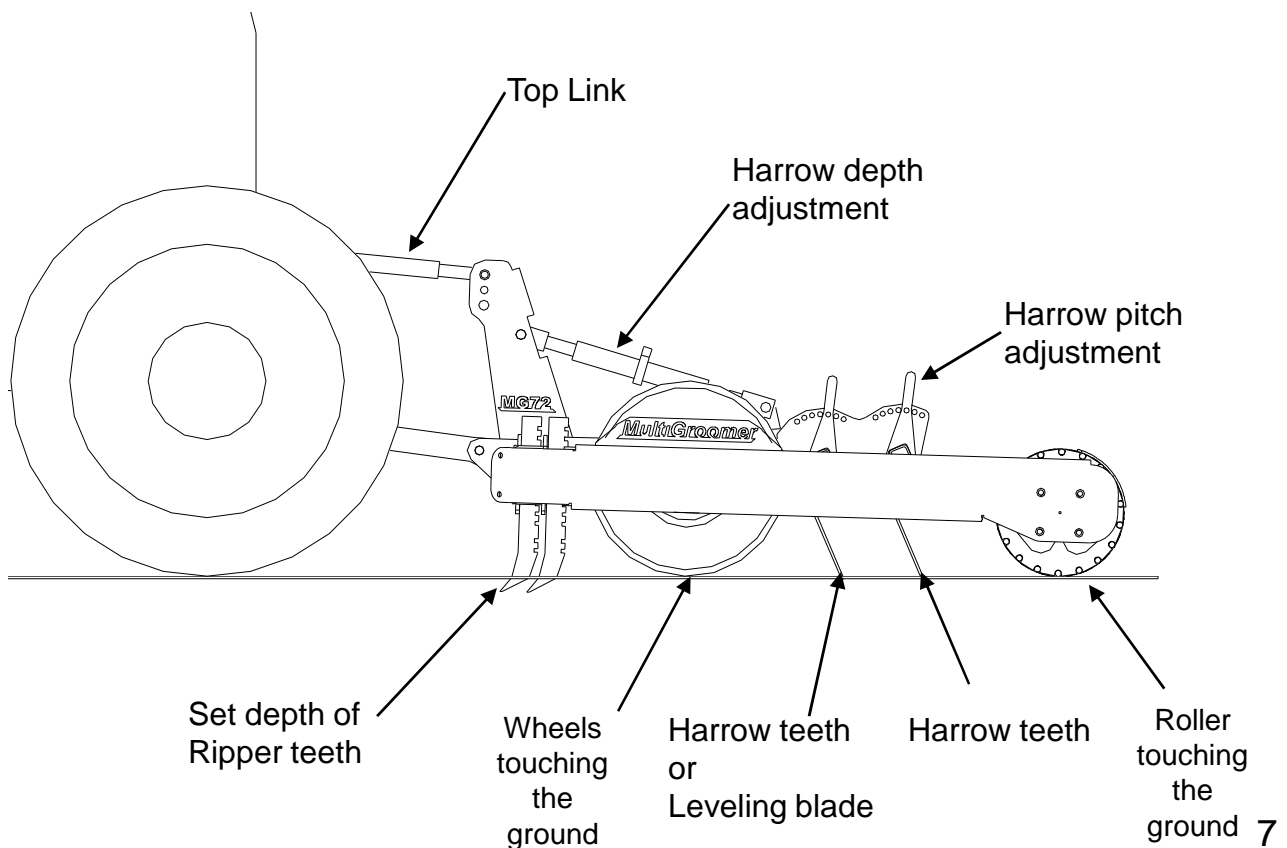


Operation Instructions

The Multi Groomer is mounted to the tractor with 3rd category 1. An Optional Drawbar hitch is also available to be towed with tractor or ATV. It is **IMPORTANT** that proper adjustments are made to achieve best results.

Operation:

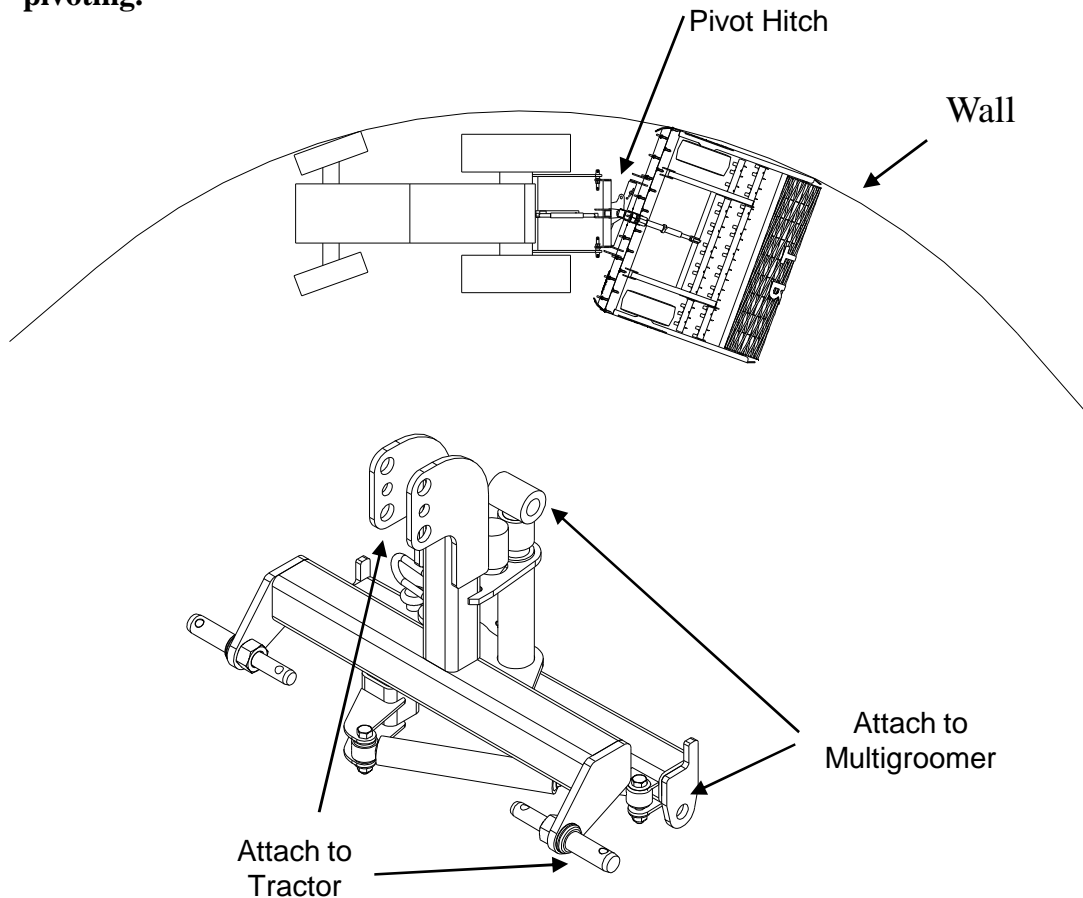
1. With 3 PTH lever in max. down position start Grooming at 4 to 8 km per hour.
2. With the leveling blade adjust the depth so that there is always a small amount of sand being dragged along.
3. Using this method of adjustment the MultiGroomer will remove high spots & fill in low spots.
4. For best results use alternative driving patterns as you groom.



Advantages of the 3PTH Pivot Attachment

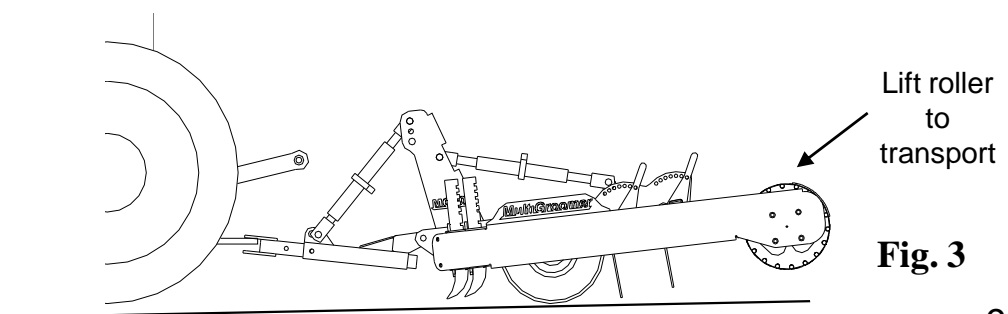
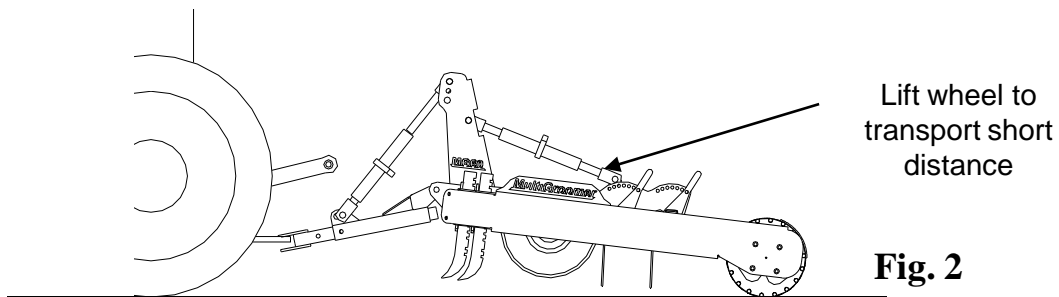
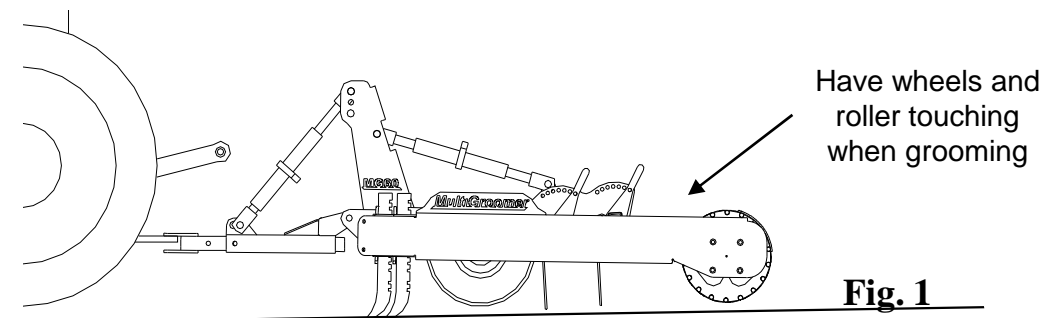
The 3pth Pivot Attachment mounts between the tractor and the MultiGroomer. The advantages with this attachment is:

1. It doesn't torque sideways when turning.
2. Doesn't swing out and hit fence or the wall when turning.
3. Enables you to get into the corners and closer to the fence/wall of your arena or corral.
4. Doesn't push the soil to the side and into the corners when turning.
5. Automatically swings into straight position when Groomer is lifted.
6. When doing heavy ripping with front teeth a pin is easily dropped in to disable pivoting.



Tow Attachment

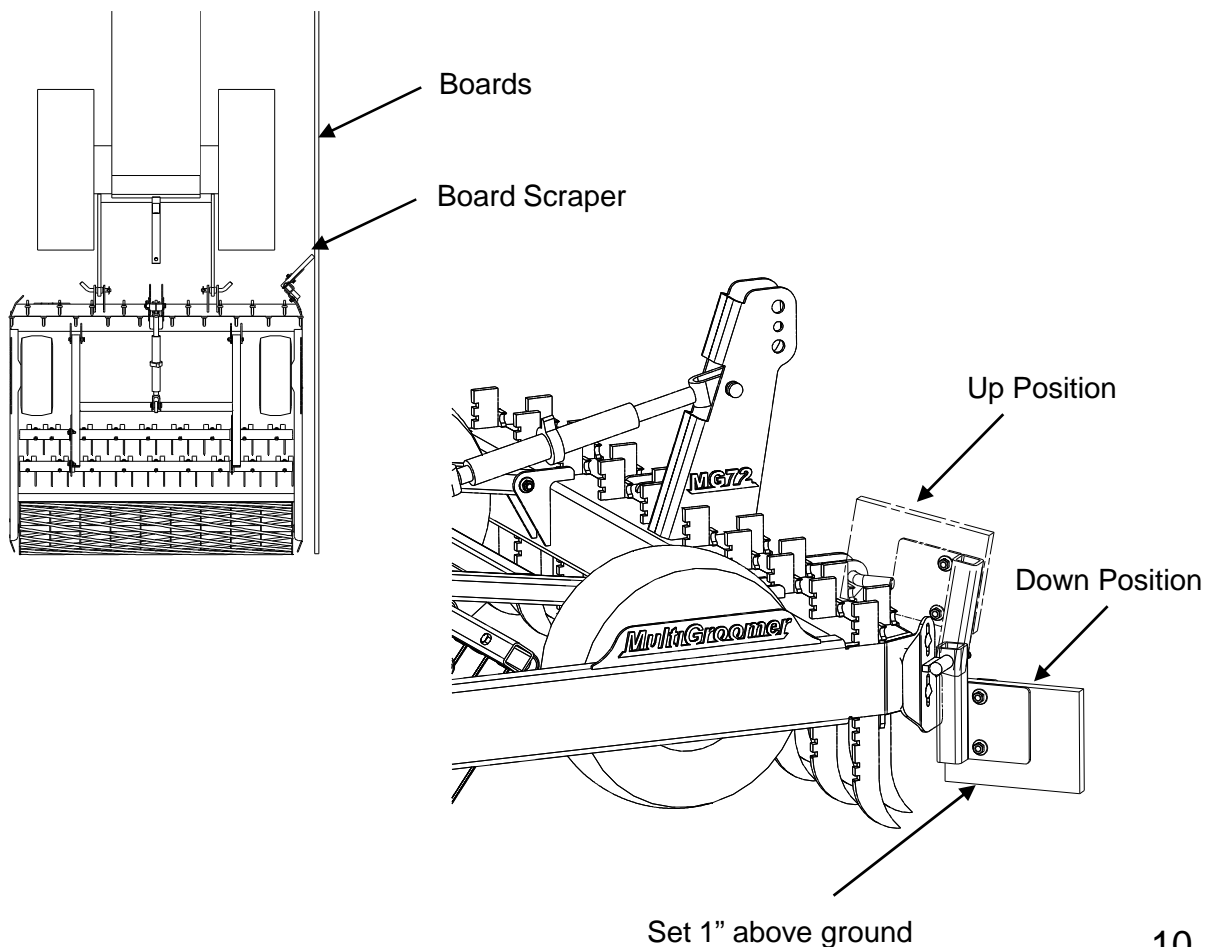
The Tow Attachment is needed if 3PTH is not available, example ATV's, Utility vehicles, or tractors without 3PTH. The tow attachment connects directly to the MultiGroomer. For operation, adjust jack or cylinder so that both the wheels and the roller is touching the ground. See Fig. 1. There are 2 positions to transport with the Tow Attachment. Fig. 2 is to move MultiGroomer short distance such as from arena to storage area. This way you don't have to raise the ripper teeth. Fig. 3 is to transport on wheels. First extent jack or cylinder to position in Fig. 1 and raise the ripper teeth to up position. Then retract jack or cylinder until rear roller is lifted off of the ground.



Board Scraper

Overtime with riding and grooming, the surface material that you have in your riding area whether it's sand, dirt, or whatever surface material you have, it will push to the walls. This can easily be rectified with the MGBS Board Scraper. It is easily installed to the side of the Multigroomer with two 1/2" carriage bolts. It can easily be swung up and out of the way when not in use. It is made with heavy rubber so that it will not damage the boards.

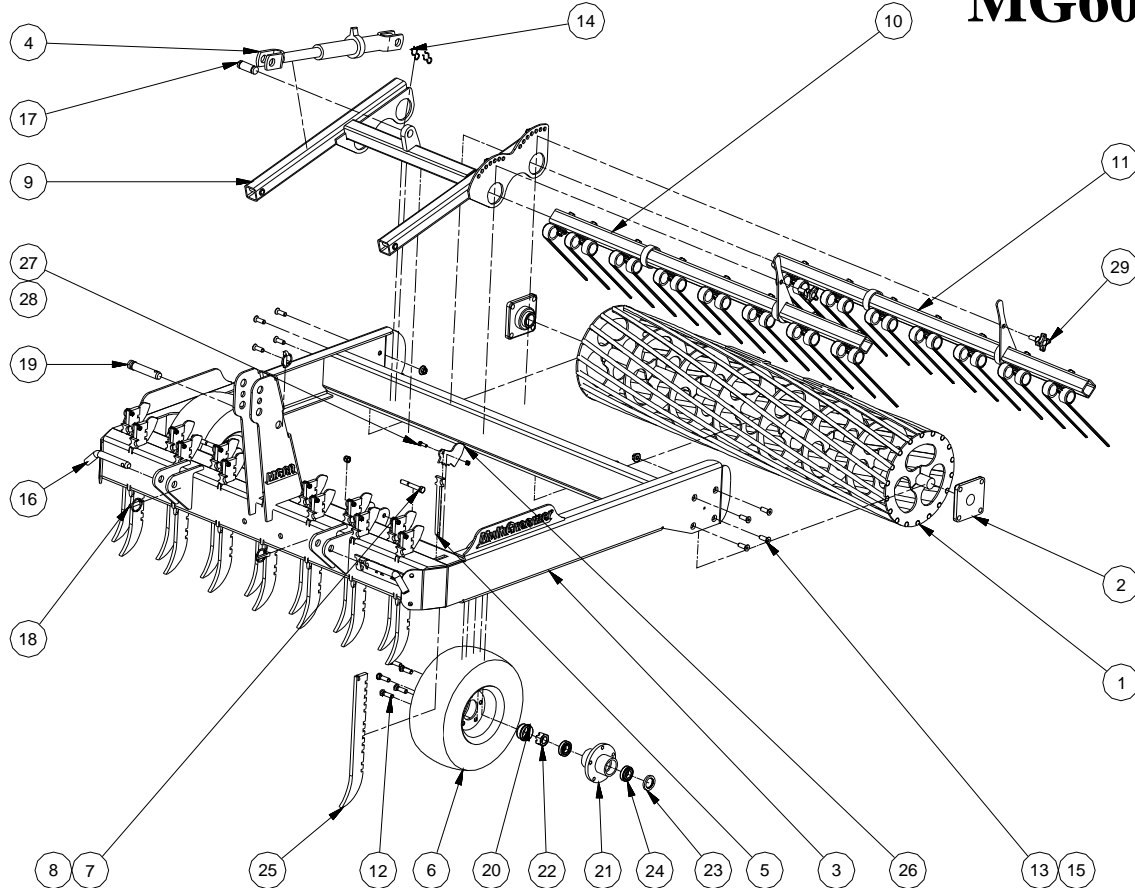
To set up the board scraper set the Multigroomer on the ground with the wheels and roller touching the ground. Then loosen the two bolts so that the board scraper can be moved up and down in the slots. In the down position the scraper should be 1" off the ground. Then tighten the bolts.



MutliGroomer Parts List



MG60



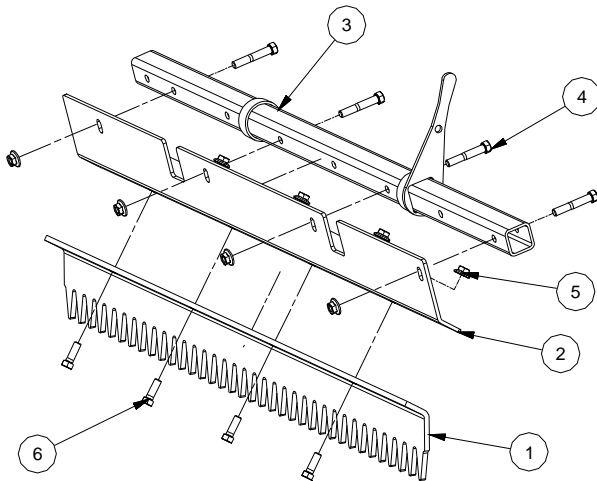
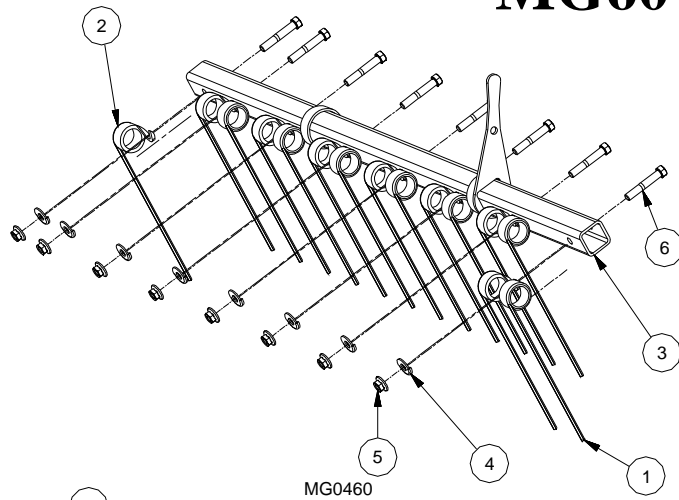
| Parts List | | | | Parts List | | | |
|------------|-----|-------------|---------------------------|------------|-----|-----------------|------------------------|
| ITEM | QTY | PART NUMBER | DESCRIPTION | ITEM | QTY | PART NUMBER | DESCRIPTION |
| 1 | 1 | R60 | Roller (Inches Wide) | 16 | 2 | CAT1-784 | Cat 1 Arm Pin |
| 2 | 2 | SAF208-24G | Bearing | 17 | 1 | 637855 | PIN |
| 3 | 1 | MGF60 | Main Frame | 18 | 3 | 385507 | Lynch Pin |
| 4 | 1 | 386501 | Ratched Jack | 19 | 1 | 387505 | Pin |
| 5 | 15 | MG02 | Tooth Lock | 20 | 2 | D-1000 | Dust Cap |
| 6 | 2 | 2020998 | Wheel | 21 | 2 | H010005450 | Hub |
| 7 | 2 | 12312 | Bolt | 22 | 2 | SJ-114 | Slotted Hex Nut |
| 8 | 2 | 12CLN | Lock Nut | 23 | 2 | CR523696 | Seal |
| 9 | 1 | MG0360 | Harrow Frame | 24 | 4 | L44643 \ L44610 | Tapered Roller Bearing |
| 10 | 1 | MG0460 | Harrow Bar Assembly Front | 25 | 15 | MG01 | Ripper Tooth |
| 11 | 1 | MG0560 | Rear Harrow Assembly | 26 | 15 | MG22 | Tooth Locking Plate |
| 12 | 10 | 500-20 | Wheel bolt/Bolt | 27 | 15 | 5161 | Bolt |
| 13 | 8 | 12112SHCS | Socket Head Cap Screw | 28 | 15 | 516CLN | Lock Nut |
| 14 | 2 | 637856 | Hair Pin | 29 | 2 | 135-052 | Knob |
| 15 | 10 | 12FSLN | Flange Nut | | | | |

MutliGroomer Parts List



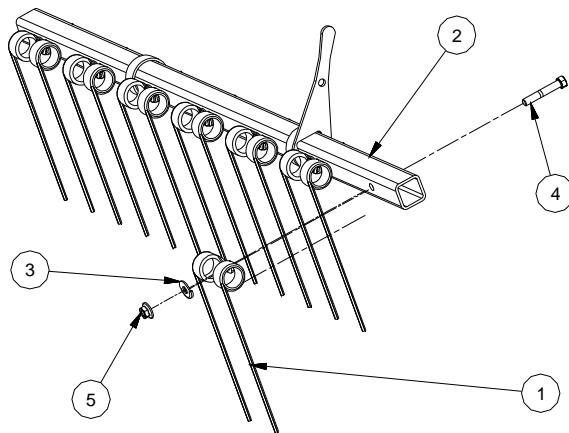
MG60

| Parts List | | | |
|------------|-----|-------------|--------------------|
| ITEM | QTY | PART NUMBER | DESCRIPTION |
| 1 | 7 | JD311 | Tine |
| 2 | 1 | JD311L | Left Half Tine |
| 3 | 1 | MG0660 | Bar Weldment Front |
| 4 | 8 | MG08 | Formed Washer |
| 5 | 8 | 12FSLN | Flange Nut |
| 6 | 8 | 12*3 | Bolt |



| Parts List | | | |
|------------|-----|-------------|---------------------------|
| ITEM | QTY | PART NUMBER | DESCRIPTION |
| 1 | 1 | MG0960 | Leveling Blade |
| 2 | 1 | MG1060 | Leveling Blade Base Plate |
| 3 | 1 | MG0660 | Bar Weldment Front |
| 4 | 4 | 12*3 | Bolt |
| 5 | 8 | 12FSLN | Flange Nut |
| 6 | 4 | 12112 | Bolt |

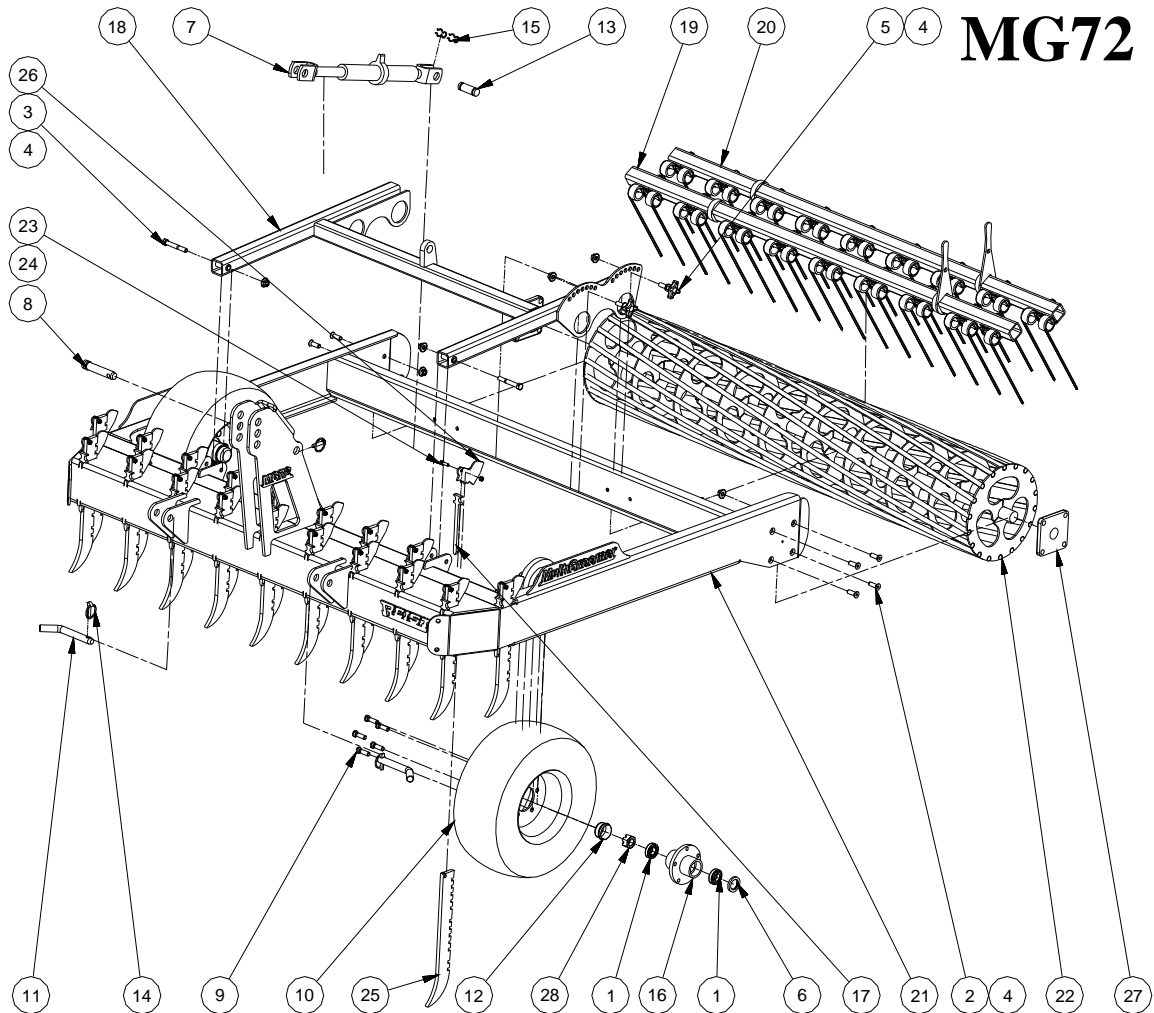
| Parts List | | | |
|------------|-----|-------------|-------------------|
| ITEM | QTY | PART NUMBER | DESCRIPTION |
| 1 | 7 | JD311 | Tine |
| 2 | 1 | MG0760 | Bar Weldment Rear |
| 3 | 7 | MG08 | Formed Washer |
| 4 | 7 | 12*3 | Bolt |
| 5 | 7 | 12FSLN | Flange Nut |



MutliGroomer Parts List



MG72



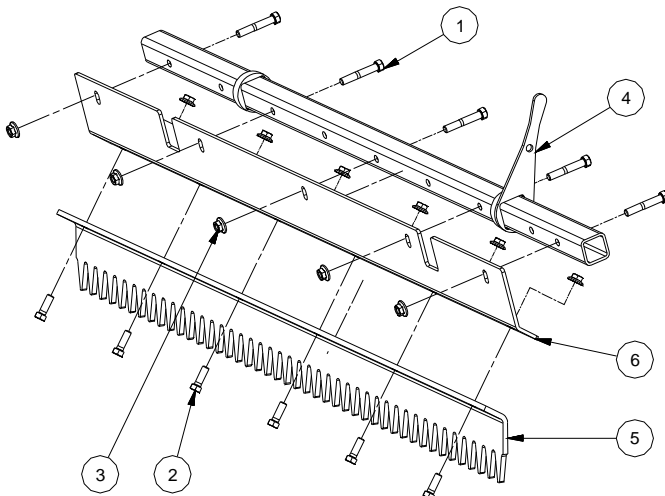
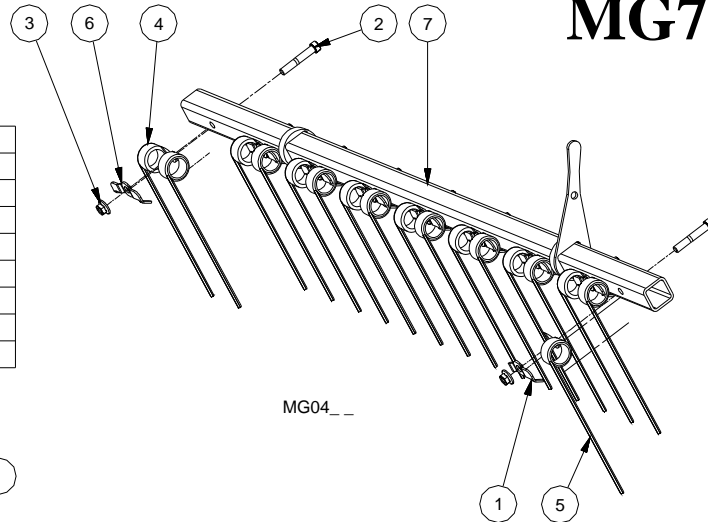
| Parts List | | | | Parts List | | | |
|------------|-----|-----------------|------------------------|------------|-----|-------------|---------------------------|
| ITEM | QTY | PART NUMBER | DESCRIPTION | ITEM | QTY | PART NUMBER | DESCRIPTION |
| 1 | 4 | L44643 / L44610 | Tapered Roller Bearing | 15 | 2 | FXDBL | Hair Pin |
| 2 | 8 | 12112FH | Flat Head Cap Screw | 16 | 2 | H010005450 | Hub |
| 3 | 2 | 12312 | Bolt | 17 | 19 | MG02 | Tooth Lock |
| 4 | 12 | 12FSLN | Flange Nut | 18 | 1 | MG03_ _ | Harrow Frame |
| 5 | 2 | 135-052 | Knob | 19 | 1 | MG04_ _ | Harrow Bar Assembly Front |
| 6 | 2 | 20124 | SEAL | 20 | 1 | MG05_ _ | Harrow Bar Assembly Rear |
| 7 | 1 | 386501 | Ratched Jack | 21 | 1 | MGF_ _ | MultiGroomer Frame |
| 8 | 1 | 387505 | Pin | 22 | 1 | R_ _ | Roller (Inches Wide) |
| 9 | 10 | 500-20 | Wheel bolt/Bolt | 23 | 19 | 5161 | Bolt |
| 10 | 2 | 8074684 | Wheel | 24 | 19 | 516CLN | Lock Nut |
| 11 | 2 | CAT1-784 | Cat 1 Arm Pin | 25 | 19 | MG01 | Ripper Tooth |
| 12 | 2 | D-1000 | Dust Cap | 26 | 19 | MG22 | Tooth Locking Plate |
| 13 | 1 | FX01542 | Pin | 27 | 2 | SAF208-24G | Bearing |
| 14 | 3 | FX02698 | Lynch Pin | 28 | 2 | SJ-114 | Slotted Hex Nut |

MutliGroomer Parts List



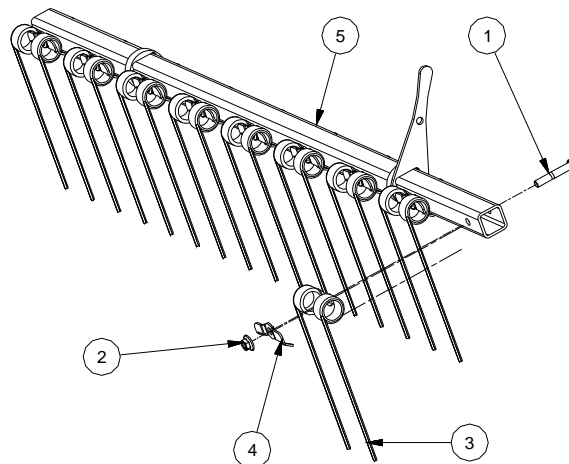
MG72

| Parts List | | | |
|------------|-----|-------------|--------------------|
| ITEM | QTY | PART NUMBER | DESCRIPTION |
| 1 | 1 | MG26 | Tine Clip L |
| 2 | 9 | 12*3 | Bolt |
| 3 | 9 | 12FSLN | Flange Nut |
| 4 | 8 | JD311 | Tine |
| 5 | 1 | JD311L | Left Half Tine |
| 6 | 8 | MG 23 | Tine Clip |
| 7 | 1 | MG06_ _ | Bar Weldment Front |



| Parts List | | | |
|------------|-----|-------------|---------------------------|
| ITEM | QTY | PART NUMBER | DESCRIPTION |
| 1 | 5 | 12*3 | Bolt |
| 2 | 6 | 12112 | Bolt |
| 3 | 11 | 12FSLN | Flange Nut |
| 4 | 1 | MG06_ _ | Bar Weldment Front |
| 5 | 1 | MG09_ _ | Grader Blade |
| 6 | 1 | MG10_ _ | Leveling Blade Base Plate |

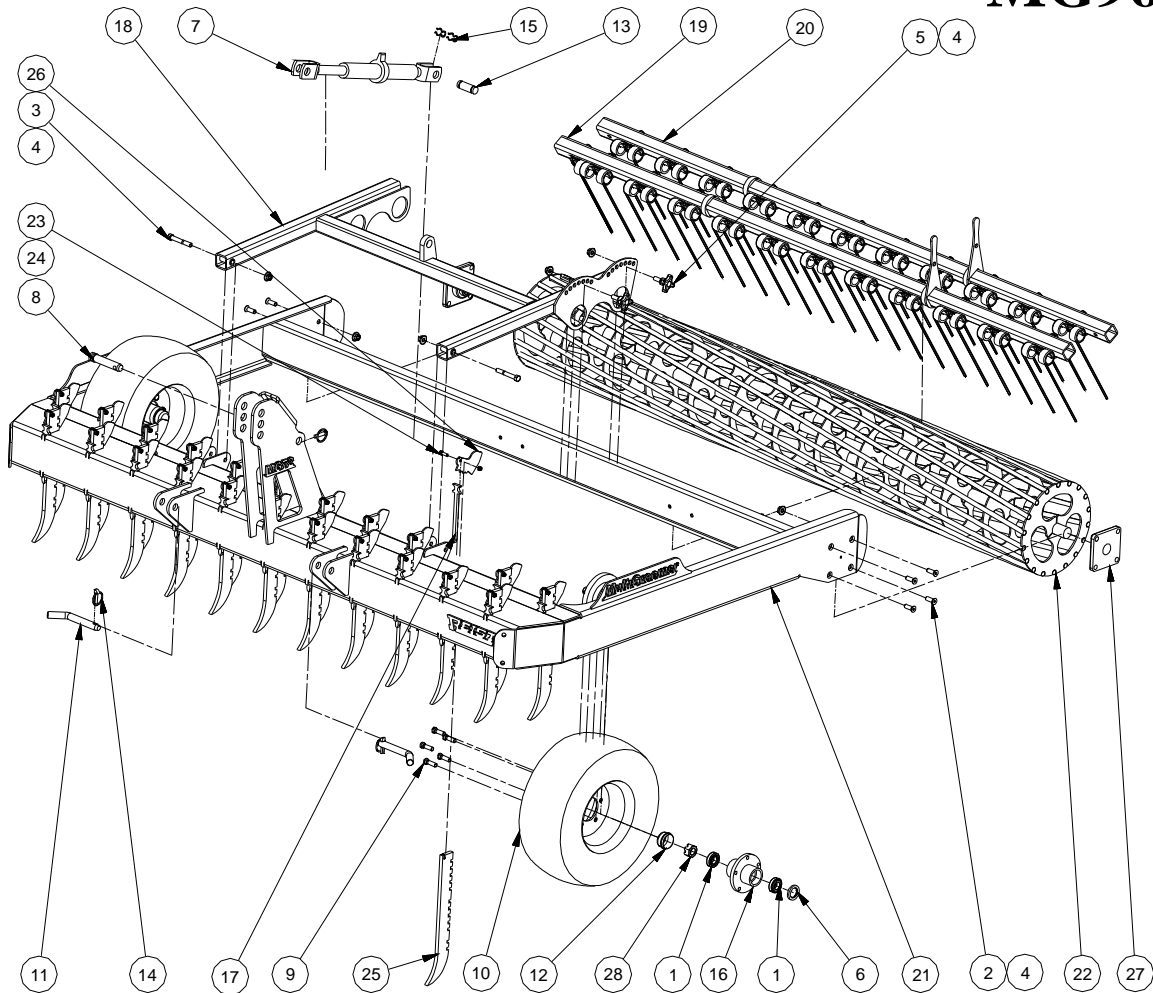
| Parts List | | | |
|------------|-----|-------------|-------------------|
| ITEM | QTY | PART NUMBER | DESCRIPTION |
| 1 | 9 | 12*3 | Bolt |
| 2 | 9 | 12FSLN | Flange Nut |
| 3 | 9 | JD311 | Tine |
| 4 | 9 | MG 23 | Tine Clip |
| 5 | 1 | MG07_ _ | Rear Bar Weldment |



MutliGroomer Parts List



MG96



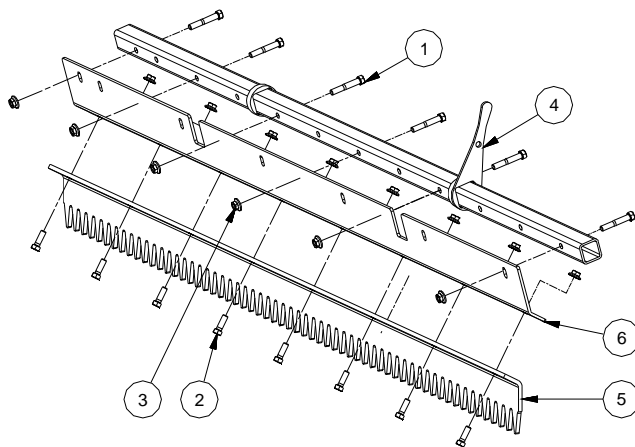
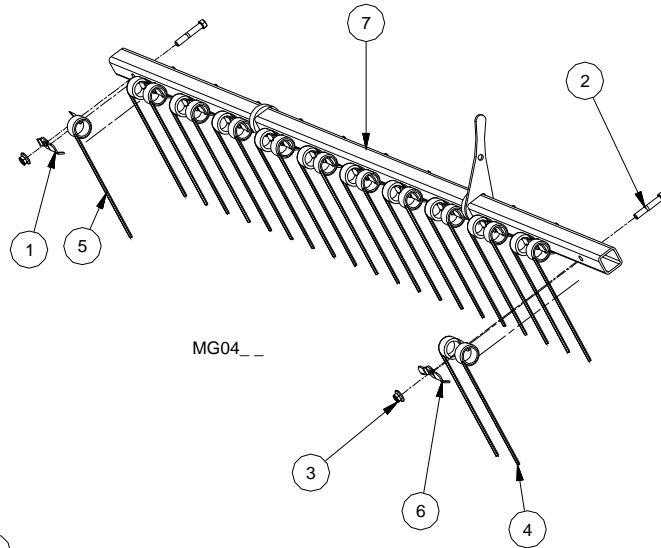
| Parts List | | | | Parts List | | | |
|------------|-----|-----------------|------------------------|------------|-----|-------------|---------------------------|
| ITEM | QTY | PART NUMBER | DESCRIPTION | ITEM | QTY | PART NUMBER | DESCRIPTION |
| 1 | 4 | L44643 / L44610 | Tapered Roller Bearing | 15 | 2 | FXDBL | Hair Pin |
| 2 | 8 | 12112FH | Flat Head Cap Screw | 16 | 2 | H010005450 | Hub |
| 3 | 2 | 12312 | Bolt | 17 | 23 | MG02 | Tooth Lock |
| 4 | 12 | 12FSLN | Flange Nut | 18 | 1 | MG03_ _ | Harrow Frame |
| 5 | 2 | 135-052 | Knob | 19 | 1 | MG04_ _ | Harrow Bar Assembly Front |
| 6 | 2 | 20124 | SEAL | 20 | 1 | MG05_ _ | Harrow Bar Assembly Rear |
| 7 | 1 | 386501 | Ratched Jack | 21 | 1 | MGF_ _ | MultiGroomer Frame |
| 8 | 1 | 387505 | Pin | 22 | 1 | R_ _ | Roller (Inches Wide) |
| 9 | 10 | 500-20 | Wheel bolt/Bolt | 23 | 23 | 5161 | Bolt |
| 10 | 2 | 8074684 | Wheel | 24 | 23 | 516CLN | Lock Nut |
| 11 | 2 | CAT1-784 | Cat 1 Arm Pin | 25 | 23 | MG01 | Ripper Tooth |
| 12 | 2 | D-1000 | Dust Cap | 26 | 23 | MG22 | Tooth Locking Plate |
| 13 | 1 | FX01542 | Pin | 27 | 2 | SAF208-24G | Bearing |
| 14 | 3 | FX02698 | Lynch Pin | 28 | 2 | SJ-114 | Slotted Hex Nut |

MutliGroomer Parts List



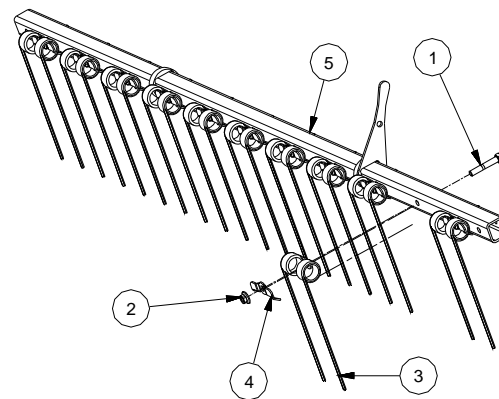
MG96

| Parts List | | | |
|------------|-----|-------------|--------------------|
| ITEM | QTY | PART NUMBER | DESCRIPTION |
| 1 | 1 | MG26 | Tine Clip L |
| 2 | 12 | 12*3 | Bolt |
| 3 | 11 | JD311 | Tine |
| 4 | 1 | JD311L | Left Half Tine |
| 5 | 11 | MG 23 | Tine Clip |
| 6 | 1 | MG06_ _ | Bar Weldment Front |



| Parts List | | | |
|------------|-----|-------------|---------------------------|
| ITEM | QTY | PART NUMBER | DESCRIPTION |
| 1 | 6 | 12*3 | Bolt |
| 2 | 8 | 12112 | Bolt |
| 3 | 14 | 12FSLN | Flange Nut |
| 4 | 1 | MG06_ _ | Bar Weldment Front |
| 5 | 1 | MG09_ _ | Grader Blade |
| 6 | 1 | MG10_ _ | Leveling Blade Base Plate |

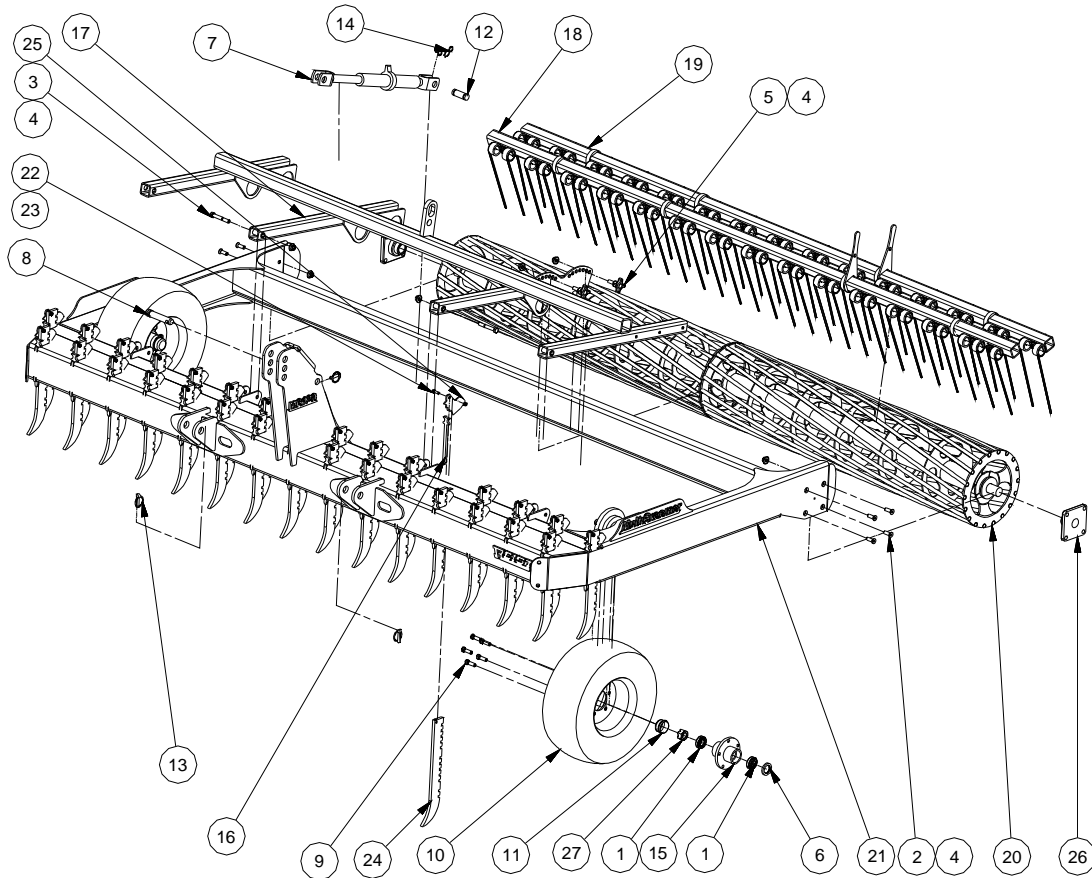
| Parts List | | | |
|------------|-----|-------------|-------------------|
| ITEM | QTY | PART NUMBER | DESCRIPTION |
| 1 | 11 | 12*3 | Bolt |
| 2 | 11 | 12FSLN | Flange Nut |
| 3 | 11 | JD311 | Tine |
| 4 | 11 | MG 23 | Tine Clip |
| 5 | 1 | MG07_ _ | Rear Bar Weldment |



MutliGroomer Parts List



MG120



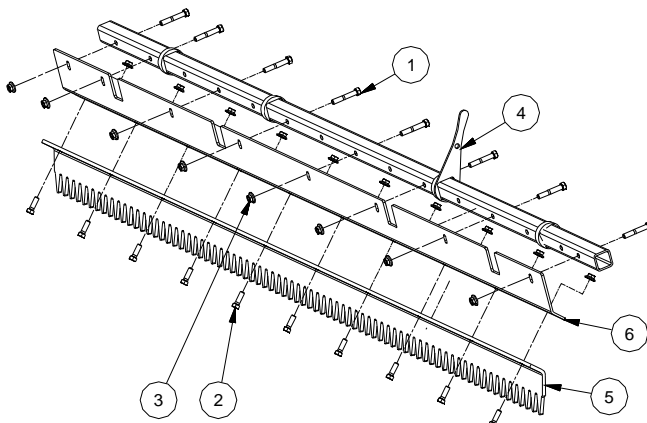
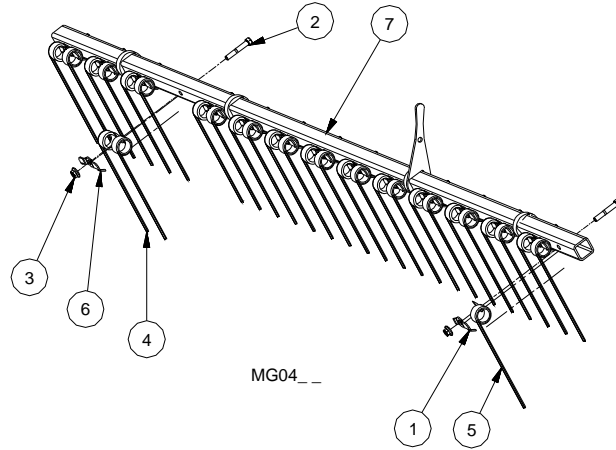
| Parts List | | | | Parts List | | | |
|------------|-----|-----------------|------------------------|------------|-----|-------------|---------------------------|
| ITEM | QTY | PART NUMBER | DESCRIPTION | ITEM | QTY | PART NUMBER | DESCRIPTION |
| 1 | 4 | L44643 / L44610 | Tapered Roller Bearing | 15 | 2 | H010005450 | Hub |
| 2 | 8 | 12112FH | Flat Head Cap Screw | 16 | 31 | MG02 | Tooth Lock |
| 3 | 2 | 12312 | Bolt | 17 | 1 | MG03_ _ | Harrow Frame |
| 4 | 12 | 12FSLN | Flange Nut | 18 | 1 | MG04_ _ | Harrow Bar Assembly Front |
| 5 | 2 | 135-052 | Knob | 19 | 1 | MG05_ _ | Harrow Bar Assembly Rear |
| 6 | 2 | 20124 | SEAL | 20 | 1 | MG36120 | Split Rolling Harrow |
| 7 | 1 | 386501 | Ratched Jack | 21 | 1 | MGF_ _ | MultiGroomer Frame |
| 8 | 1 | 387505 | Pin | 22 | 31 | 5161 | Bolt |
| 9 | 10 | 500-20 | Wheel bolt/Bolt | 23 | 31 | 516CLN | Lock Nut |
| 10 | 2 | 8074684 | Wheel | 24 | 31 | MG01 | Ripper Tooth |
| 11 | 2 | D-1000 | Dust Cap | 25 | 31 | MG22 | Tooth Locking Plate |
| 12 | 1 | FX01542 | Pin | 26 | 2 | SAF208-24G | Bearing |
| 13 | 3 | FX02698 | Lynch Pin | 27 | 2 | SJ-114 | Slotted Hex Nut |
| 14 | 2 | FXDBL | Hair Pin | | | | |

MutliGroomer Parts List



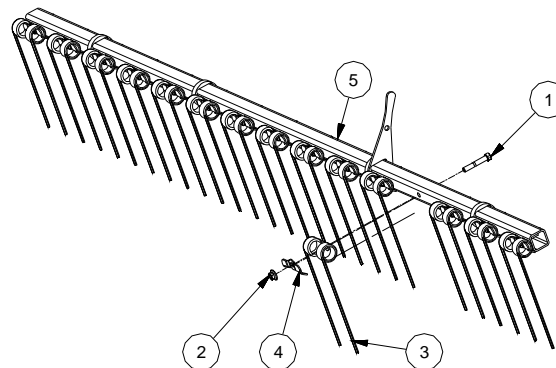
MG120

| Parts List | | | |
|------------|-----|-------------|--------------------|
| ITEM | QTY | PART NUMBER | DESCRIPTION |
| 1 | 1 | MG26 | Tine Clip L |
| 2 | 15 | 12*3 | Bolt |
| 3 | 15 | 12FSLN | Flange Nut |
| 4 | 14 | JD311 | Tine |
| 5 | 1 | JD311L | Left Half Tine |
| 6 | 14 | MG 23 | Tine Clip |
| 7 | 1 | MG06_ _ | Bar Weldment Front |



| Parts List | | | |
|------------|-----|-------------|---------------------------|
| ITEM | QTY | PART NUMBER | DESCRIPTION |
| 1 | 8 | 12*3 | Bolt |
| 2 | 10 | 12112 | Bolt |
| 3 | 18 | 12FSLN | Flange Nut |
| 4 | 1 | MG06_ _ | Bar Weldment Front |
| 5 | 1 | MG09_ _ | Grader Blade |
| 6 | 1 | MG10_ _ | Leveling Blade Base Plate |

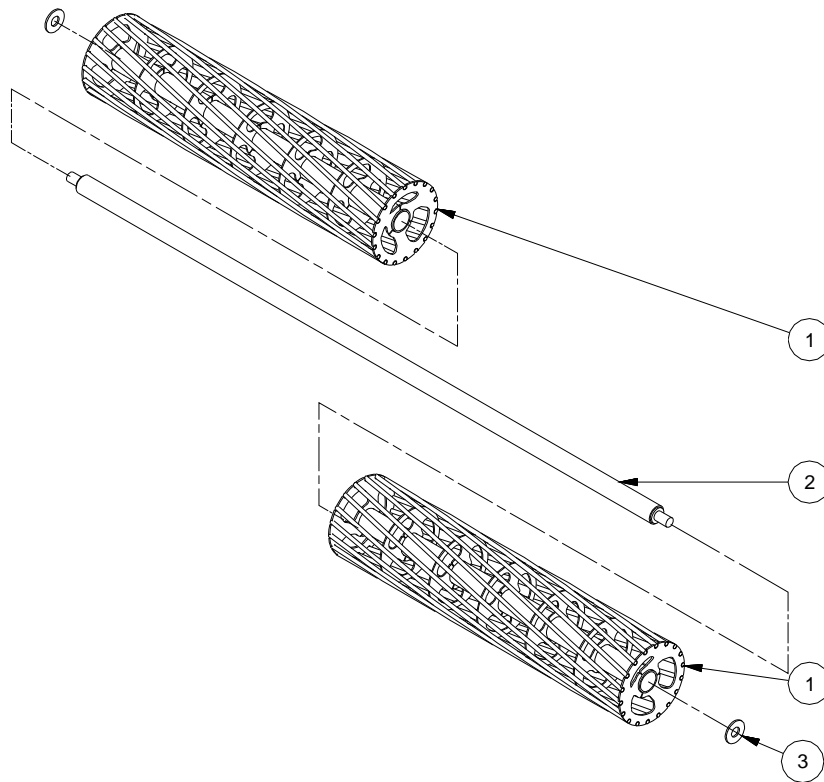
| Parts List | | | |
|------------|-----|-------------|-------------------|
| ITEM | QTY | PART NUMBER | DESCRIPTION |
| 1 | 15 | 12*3 | Bolt |
| 2 | 15 | 12FSLN | Flange Nut |
| 3 | 15 | JD311 | Tine |
| 4 | 15 | MG 23 | Tine Clip |
| 5 | 1 | MG07_ _ | Rear Bar Weldment |



MutliGroomer Parts List

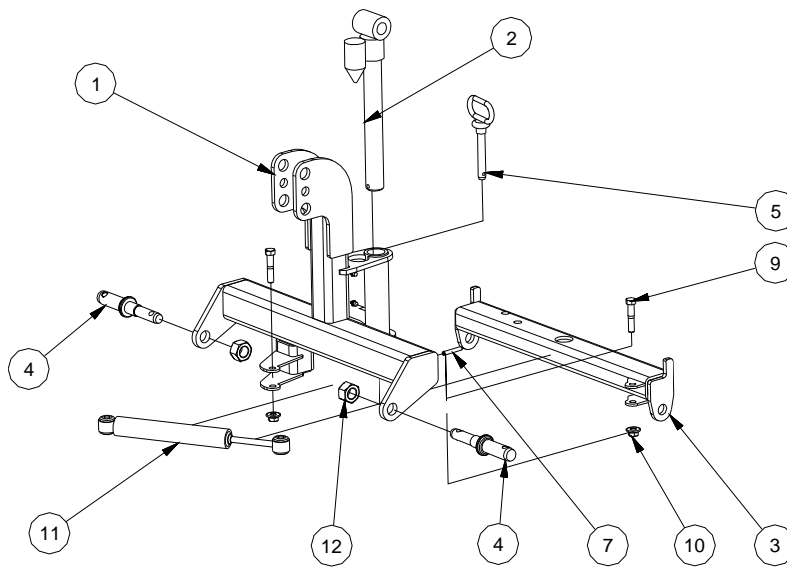


MG120



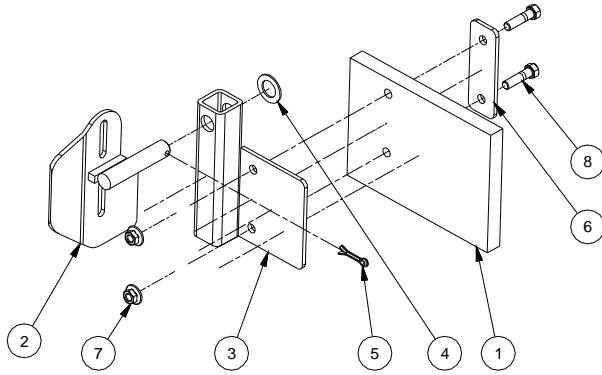
| Parts List | | | |
|------------|-----|-------------|-----------------------|
| ITEM | QTY | PART NUMBER | DESCRIPTION |
| 1 | 2 | MG37120 | Roller (Inches Wide) |
| 2 | 1 | MG38120 | Split Roll Shaft |
| 3 | 2 | MG39 | Split Roll Washer |

Pivot Hitch Part# 3PHSWL



| Parts List | | | |
|------------|-----|-------------|---------------------|
| ITEM | QTY | PART NUMBER | DESCRIPTION |
| 1 | 1 | MG11 | 3PT Front Pivot |
| 2 | 1 | MG12 | 3PT Rear pivot B |
| 3 | 1 | MG13 | 3PT Rear pivot B |
| 4 | 2 | 386010 | Lift Arm Pin |
| 5 | 1 | 385502 | Draw Pin |
| 7 | 1 | 516RP | Roll Pin |
| 8 | 2 | GF | Grease Zerk |
| 9 | 2 | 12212 | Bolt |
| 10 | 2 | 12FSLN | Flange Nut |
| 11 | 1 | SS10317 | Steering Stabilizer |
| 12 | 2 | 1NF | Nut |

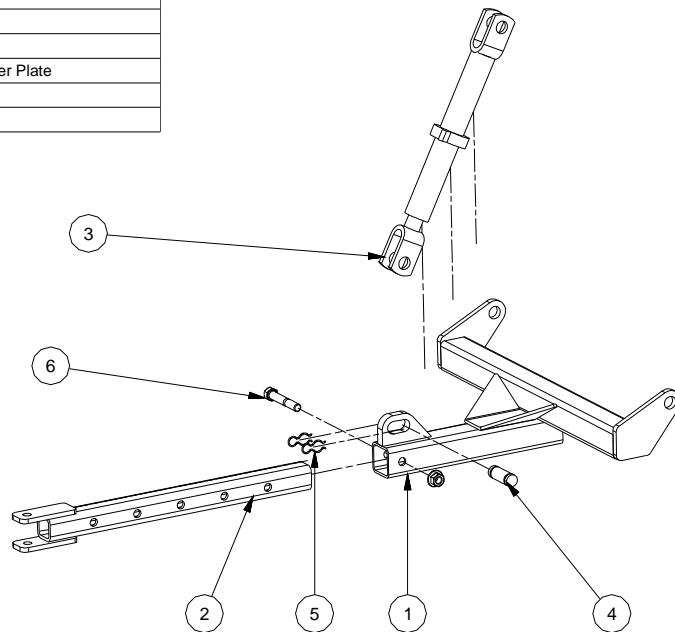
MutliGroomer Parts List



Board Scraper Part# MGBS

| Parts List | | | |
|------------|-----|-------------|--------------------|
| ITEM | QTY | PART NUMBER | DESCRIPTION |
| 1 | 1 | MG16 | Rubber Scraper |
| 2 | 1 | MG17 | Swing Base Mount |
| 3 | 1 | MG18 | Swing Arm |
| 4 | 1 | 1M | Washer |
| 5 | 1 | 142CP | Cotter Pins |
| 6 | 1 | MG19 | Metal Washer Plate |
| 7 | 2 | 12FSLN | Flange Nut |
| 8 | 2 | 12*2 | Nut |

Tow Hitch Part# MGTH



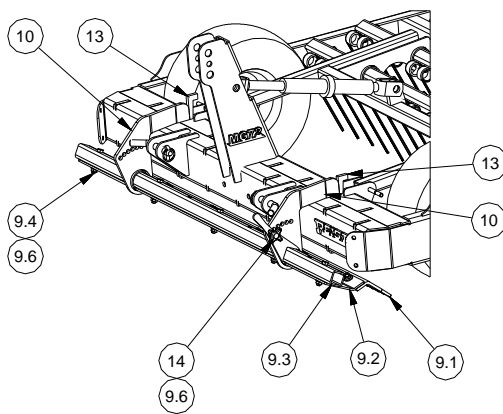
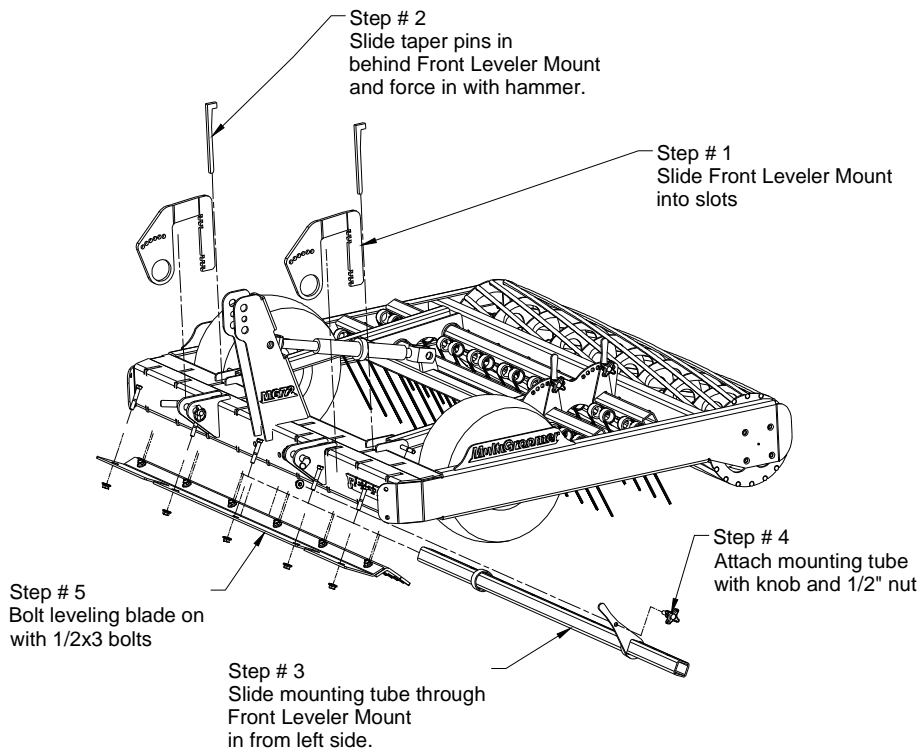
| Parts List | | | |
|------------|-----|-------------|------------------|
| ITEM | QTY | PART NUMBER | DESCRIPTION |
| 1 | 1 | MG14 | Tow Bar Weldment |
| 2 | 1 | MG15 | Draw Bar |
| 3 | 1 | 386501 | Ratched Jack |
| 4 | 1 | 637855 | Pin |
| 5 | 2 | 637856 | Hair Pin |
| 6 | 1 | 584 | Bolt |
| 7 | 1 | 58FSLN | Flange Nut |

MutliGroomer Parts List



Front Leveling Blade

Part#



| Parts List | | | |
|------------|-----|-------------|---------------------------|
| ITEM | QTY | PART NUMBER | DESCRIPTION |
| 9.1 | 1 | MG09_ _ | Grader Blade |
| 9.2 | 1 | MG10_ _ | Leveling Blade Base Plate |
| 9.3 | 1 | MG06_ _ | Bar Weldment Front |
| 9.4 | 5 | 12*3 | Bolt |
| 9.6 | 11 | 12FSLN | Flange Nut |
| 10 | 2 | MG20 | Front Leveler Mount |
| 13 | 2 | MG21 | Leveler Taper Lock |
| 14 | 1 | 135-052 | Knob |

WARRANTY



All new Reist machinery is warranted to be free from defects in material or workmanship, which may cause failure under normal usage and service when used for the purpose, intended, for a period of 12 months. This warranty applies only to a new Reist product, there being no warranty of any nature in respect to new products that have been modified or altered, repaired, neglected, or used in any way, which, in the opinion of Reist adversely affects its performance.

In the event of failure of a part or parts, and upon inspection, Reist is satisfied that failure is due to defective material or workmanship within 12 calendar months, from the date of delivery to an end user, such defective part or parts will be repaired or replaced by Reist at his business location. It is the responsibility of the buyer, at his expense, to transport the machine or equipment to the manufacturer service shop or, to an authorized service depot or, alternatively, to reimburse Reist for any travel or transportation expense involved in fulfilling this warranty.

When requested by Reist, part or parts shall be returned for inspection, transportation prepaid, to a place designated by Reist. **IN NO EVENT SHALL THE BUYER BE ENTITLED TO RECOVER FOR INCIDENTAL OR CONSEQUENTIAL DAMAGES, INCLUDING, BUT NOT LIMITED TO, LOSS OF PRODUCT, INCONVENIENCE, RENTAL OR REPLACEMENT EQUIPMENT, LOSS OF PROFIT, OR OTHER COMMERCIAL LOSS.**

This warranty becomes void and null if the equipment is modified, breaks down as the result of an accident, is not operated according to manufacturers recommendations, damaged by negligence or if maintenance has not been carried out as specified.

THIS WARRANTY IS NOT TRANSFERABLE

Proof of Purchase

| | | | | | |
|-------------------------------|-------------|--|--|-----------------------------|---------|
| Date of purchase (yyyy mm dd) | | Model | | Serial # | |
| Dealer purchased from | | City | | State or Province | Country |
| First Name | | Last Name | | Phone # (include area code) | |
| Address | | | | State or Province | Country |
| City | Postal Code | Reist Industries Inc. 100 Union St. Elmira Ontario N3B 2Z2 | | 519-669-1501 | |

Proof of Purchase

| | | | | | |
|-------------------------------|-------------|--|--|-----------------------------|---------|
| Date of purchase (yyyy mm dd) | | Model | | Serial # | |
| Dealer purchased from | | City | | State or Province | Country |
| First Name | | Last Name | | Phone # (include area code) | |
| Address | | | | State or Province | Country |
| City | Postal Code | Reist Industries Inc. 100 Union St. Elmira Ontario N3B 2Z2 | | 519-669-1501 | |

**Reist Industries Inc. Ont.
100 Union St., Elmira
Ontario, Canada, N3B 2Z2
www.reistindustries.com**